

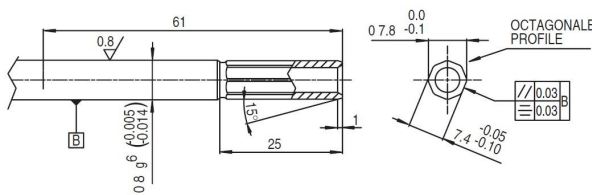
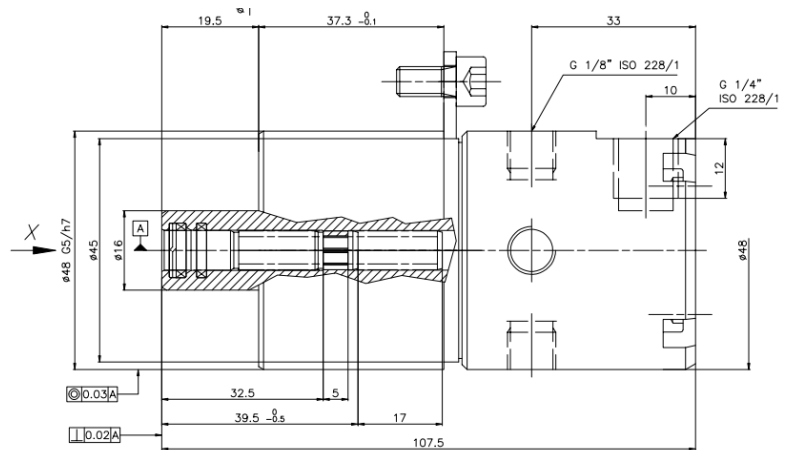
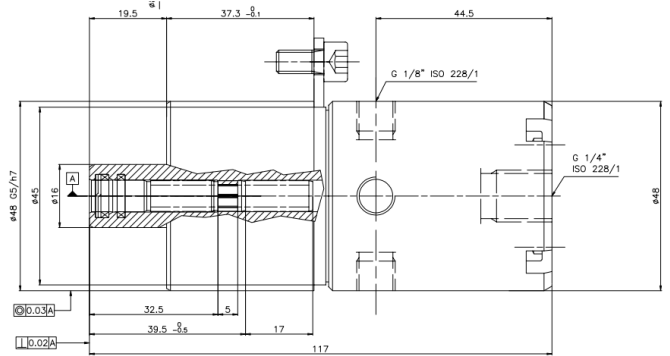
# GHS/GHSA union



Custom-designed rotary union for high performance applications

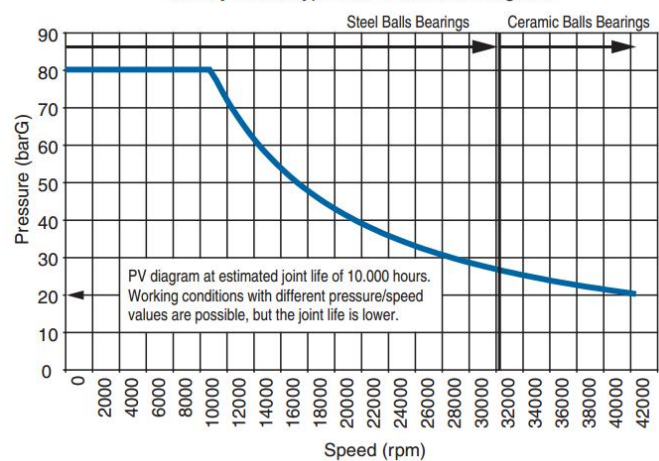


Item number GHS009039625 – axial connection  
Item number GHSA009039626 – radial connection



Working conditions		
	Coolant	Air
Pressure (bar)	80	5
Temperature (°C)	90	90
Speed (rpm)	32.000	10.000

Rotary Union Type GHS-GHSA PV Diagram



## Features and Benefits

Labyrinth seal and drain holes protect bearings  
Special seal design permits dry running

Optimized seal balance ratio to minimize friction torque  
High precision angular contact bearings for high speed

Anodised aluminium body, stainless steel rotor and spring

Full flow area, minimal pressure drop

Long drawbar stroke for maximum flexibility  
Seal to protect bearings for air pressure in rotor area

Low heat generation in bearings and mechanical seal  
No leakage during tool change commutation

Large drainhole to evacuate coolant from the union

Supplied with bearings run-in upon request

For any further information about this union, please contact us:

JOHNSON-FLUITEN S.r.l.  
Via Newton 21 20016 Pero (Milano) Italia  
Tel. +39.023394091 - email: info-jf@johnson-fluiten.com - www.johnson-fluiten.com



**JOHNSON-FLUITEN**