

TYPE G ROTARY UNIONS



precision rotary unions
for more effective cooling
and lubrication



JOHNSON.

Making the Best Solutions Possible

TABLE OF CONTENTS

Type G Rotary Union Overview	3
GA General Purpose Air and Hydraulic Unions	4
GAI Internal Mounted Unions	5
GL/GLA Low Filtration, High Speed Coolant Unions	6
GS/GSA Coolant Unions for Horizontal Installations	7
GX/GXA Auto-Off™ Coolant Unions for Dry Running	8
GZ/GZA Auto-Off™ Coolant Unions for Dry Running	9
Bearingless Coolant Unions	10
Custom Designs	11
Multi-Passage Air and Hydraulic Unions	12
Multi-Purpose Air and Hydraulic Unions	13
Installation and Operation Recommendations	14
Global Sales and Service Network	15

Quick Select Chart

TYPE	MEDIA			PRESSURE (MAX.)		TEMPERATURE (MAX.)		SPEED (RPM)
	COOLANT	AIR	OIL	BAR	PSI	°C	°F	
GA	●	●	●	70	1,000	120	250	3,500
GAI	●	●	●	70	1,000	120	250	3,500
GL/GLA	●	●	●	110	1,595	120	250	15,000
GS/GSA	●	●	●	70	1,000	120	250	10,000
GX/GXA	●	●	●	70	1,000	120	250	10,000
GZ/GZA	●	●	●	105	1,500	120	250	20,000
G5050	●	●	●	105	1,500	120	250	30,000
G2M/G4M/G5M	●	●	●	250	3,610	90	195	100
G4888	●	●	●	250	3,610	90	195	100
G5007	●	●	●	70	1,000	120	250	1,500

- Recommended
- Acceptable
- Not Recommended

For specific application parameters, see catalog page. Higher speed and pressure available on request.
Do not operate unions at maximum values of pressure, temperature and speed.

TYPE G ROTARY UNION OVERVIEW

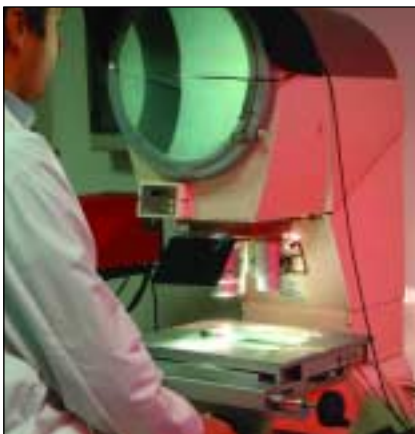
The Type G Rotary Union from Johnson-Fluiten introduces a high performance, high precision union for coolant, air and hydraulic oil applications. Type G unions are generally applied to the machine tool industry for:

- Transfer lines
- Gun drills
- Spindles
- Drilling
- Milling
- Rotary index tables

Based on more than 40 years of mechanical seal design and application expertise, the Johnson-Fluiten Type G rotary union line is built to perform under the most demanding conditions. A thorough understanding of seal load optimization, seal wear characteristics and application knowledge means the Type G union can provide years of reliable service for coolant, air and hydraulic oil applications.



Precision rotary unions designed for smooth running, high speed coolant, air and hydraulic oil applications.



Measuring and controlling seal design ensures leak-free operation.



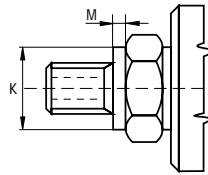
Rotor concentricity is measured to allow vibration-free operation.



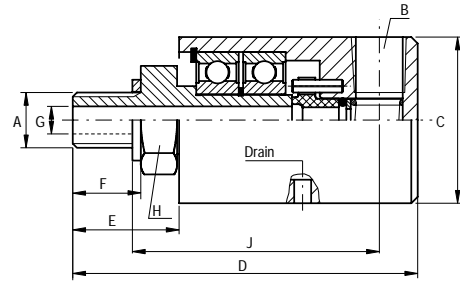
Laser etched hydrodynamic grooves provide improved seal performance.

TYPE GA

GA



Rotor With Pilot



Type	A		B	C	D	E	F	G	H	J	K (mm)	M	Weight (lb)
GA003002503	M10 X 1	RH	1/8" NPT	1.22	2.83	0.87	0.43	0.13	0.67	2.13	-	-	0.3
GA003002505	M10 X 1	RH	1/8" NPT	1.22	2.83	0.87	0.43	0.13	0.67	2.13	11 ⁰ _{.0011}	0.12	0.3
GA003002504	G 1/4" (BSP)	RH	1/8" NPT	1.22	2.83	0.87	0.51	0.13	0.67	2.05	-	-	0.3
GA006000594	5/8" - 18 UNF	RH	1/4" NPT	1.54	3.19	0.98	0.63	0.25	0.87	2.28	-	-	1.1
GA006003592	5/8" - 18 UNF	LH	1/4" NPT	1.54	3.19	0.98	0.63	0.25	0.87	2.28	-	-	1.1
GA006002506	G 1/4" (BSP)	RH	1/4" NPT	1.54	3.19	0.98	0.51	0.25	0.87	2.40	-	-	1.1
GA006002507	G 1/4" (BSP)	LH	1/4" NPT	1.54	3.19	0.98	0.51	0.25	0.87	2.40	-	-	1.1
GA009002510	5/8" - 18 UNF	RH	3/8" NPT	1.73	3.94	1.02	0.63	0.33	0.87	2.85	-	-	1.1
GA009003594	5/8" - 18 UNF	LH	3/8" NPT	1.73	3.94	1.02	0.63	0.33	0.87	2.85	-	-	1.1
GA009000601	G 3/8" (BSP)	RH	3/8" NPT	1.73	3.94	1.02	0.63	0.33	0.87	2.85	-	-	1.1
GA009003593	G 3/8" (BSP)	LH	3/8" NPT	1.73	3.94	1.02	0.63	0.33	0.87	2.85	-	-	1.1
GA009001590	M16 X 2	RH	3/8" NPT	1.73	3.94	1.02	0.63	0.33	0.87	2.85	-	-	1.1
GA012001248	3/4" - 16 UNF	RH	1/2" NPT	2.32	4.53	1.34	0.75	0.51	1.42	3.39	-	-	1.5
GA012003596	3/4" - 16 UNF	LH	1/2" NPT	2.32	4.53	1.34	0.75	0.51	1.42	3.39	-	-	1.5
GA012002217	G 1/2" (BSP)	RH	1/2" NPT	2.32	4.53	1.34	0.75	0.51	1.42	3.39	-	-	1.5
GA012003597	G 1/2" (BSP)	LH	1/2" NPT	2.32	4.53	1.34	0.75	0.51	1.42	3.39	-	-	1.5
GA012002316	G 3/4" (BSP)	RH	1/2" NPT	2.32	4.53	1.34	0.75	0.51	1.42	3.39	-	-	1.5
GA012003598	G 3/4" (BSP)	LH	1/2" NPT	2.32	4.53	1.34	0.75	0.51	1.42	3.39	-	-	1.5
GA012003595	M20 X 1.5	RH	1/2" NPT	2.32	4.53	1.34	0.75	0.51	1.42	3.39	22 ^{0.007} _{.020}	0.20	1.5
GA012003599	M20 X 1.5	LH	1/2" NPT	2.32	4.53	1.34	0.75	0.51	1.42	3.39	22 ^{0.007} _{.020}	0.20	1.5
GA012002431	M22 X 1.5	RH	1/2" NPT	2.32	4.53	1.34	0.75	0.51	1.42	3.39	27 ^{0.007} _{.020}	0.12	1.5
GA012003600	M22 X 1.5	LH	1/2" NPT	2.32	4.53	1.34	0.75	0.51	1.42	3.39	27 ^{0.007} _{.020}	0.12	1.5

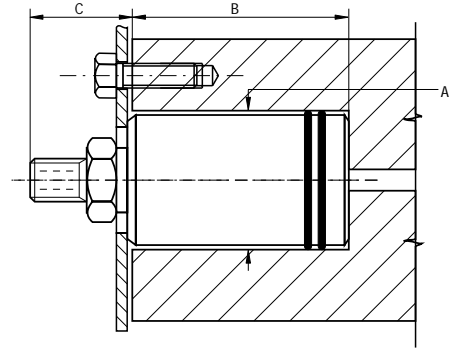
Consult factory for additional thread type.

Fluid	Pressure (PSI)	Temperature (°F)	RPM
Air	150	250	1,500
Coolant	1,000	250	3,500
Hydraulic Oil	1,000	250	3,500

Features and Benefits

- Precision ball bearings lubricated for life
- Hardened stainless steel rotor
- Optimized seal balance ratio for minimal friction
- Available with non-contacting seal ring with hydrodynamic grooves
- Smooth running, no vibration
- Body available in anodized aluminum or brass
- Designed for air, coolant and hydraulic oil
- Standard seal face available in carbon graphite, bronze seal face for hydraulic oil above 1,000 psi

GAI



Type	Rotor	A ⁺	B	C	Weight (lb)
GAI003002516	M10 X 1 RH	1.22	1.89	0.94	0.3
GAI003002515	G 1/4" (BSP) RH	1.22	1.89	0.94	0.3
GAI006001215	5/8" · 18 UNF RH	1.54	2.13	1.06	1.1
GAI006003601	5/8" · 18 UNF LH	1.54	2.13	1.06	1.1
GAI006002372	G 1/4" (BSP) RH	1.54	2.13	1.06	1.1
GAI006003602	G 1/4" (BSP) LH	1.54	2.83	1.06	1.1
GAI009002780	5/8" · 18 UNF RH	1.73	2.83	1.10	1.1
GAI009003604	5/8" · 18 UNF LH	1.73	2.83	1.10	1.1
GAI009000824	G 3/8" (BSP) RH	1.73	2.83	1.10	1.1
GAI009003603	G 3/8" (BSP) LH	1.73	2.83	1.10	1.1
GAI009001380	M16 X 2 RH	1.73	2.83	1.10	1.1
GAI012000640	3/4" · 16 UNF RH	2.32	3.07	1.46	1.5
GAI012003605	3/4" · 16 UNF LH	2.32	3.07	1.46	1.5
GAI012003477	G 1/2" (BSP) RH	2.32	3.07	1.46	1.5
GAI012003607	G 1/2" (BSP) LH	2.32	3.07	1.46	1.5
GAI012001419	G 3/4" (BSP) RH	2.32	3.07	1.46	1.5
GAI012003606	G 3/4" (BSP) LH	2.32	3.07	1.46	1.5

⁺ Dimension tolerance is +0.012", +0.016"

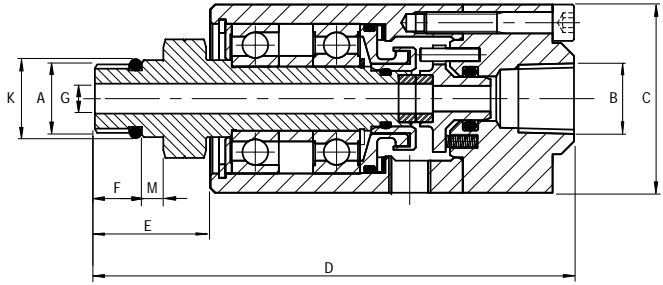
Fluid	Pressure (PSI)	Temperature (°F)	RPM
Air	150	250	1,500
Coolant	1,000	250	3,500
Hydraulic Oil	1,000	250	3,500

Features and Benefits

- Compact design mounted inside shaft
- Hardened stainless steel rotor
- Optimized seal balance ratio for minimal friction
- Available with non-contacting seal ring with hydrodynamic grooves
- Anodized aluminum body

TYPE GL/GLA

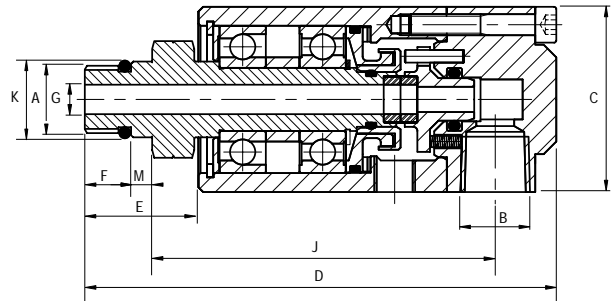
GL



Type	A	B	C	D	E	F	G	K*	M	X*	Y	Z	Weight (lb)
GL006015720	M16 X 1.5 LH	1/4" NPT	1.73	4.41	1.06	0.43	0.28	17.994/17.983	0.20	18.007/17.997	0.33	0.67	0.9
GL009015721	M16 X 1.5 LH	3/8" NPT	1.73	4.41	1.06	0.43	0.28	17.994/17.983	0.20	18.007/17.997	0.33	0.67	0.9
GL006015676	5/8" - 18 UNF RH	1/4" NPT	1.73	4.53	1.18	0.55	0.28	0.6555/0.6553	0.20	0.6560/0.6556	0.33	0.79	0.9
GL006015675	5/8" - 18 UNF LH	1/4" NPT	1.73	4.53	1.18	0.55	0.28	0.6555/0.6553	0.20	0.6560/0.6556	0.33	0.79	0.9
GL009015678	5/8" - 18 UNF RH	3/8" NPT	1.73	4.53	1.18	0.55	0.28	0.6555/0.6553	0.20	0.6560/0.6556	0.33	0.79	0.9
GL009015677	5/8" - 18 UNF LH	3/8" NPT	1.73	4.53	1.18	0.55	0.28	0.6555/0.6553	0.20	0.6560/0.6556	0.33	0.79	0.9

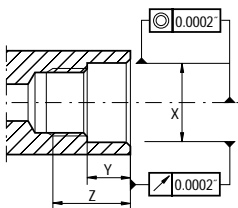
*K and X in mm for metric threads.

GLA



Type	A	B	C	D	E	F	G	J	K*	M	X*	Y	Z	Weight (Kg)
GLA006015722	M16 X 1.5 LH	1/4" NPT	1.73	4.41	1.06	0.43	0.28	3.21	17.994/17.983	0.20	18.007/17.997	0.33	0.67	0.9
GLA009015723	M16 X 1.5 LH	3/8" NPT	1.73	4.41	1.06	0.43	0.28	3.21	17.994/17.983	0.20	18.007/17.997	0.33	0.67	0.9
GLA006015680	5/8" - 18 UNF RH	1/4" NPT	1.73	4.53	1.18	0.55	0.28	3.21	0.6555/0.6553	0.20	0.6560/0.6556	0.33	0.79	0.9
GLA006015679	5/8" - 18 UNF LH	1/4" NPT	1.73	4.53	1.18	0.55	0.28	3.21	0.6555/0.6553	0.20	0.6560/0.6556	0.33	0.79	0.9
GLA009015682	5/8" - 18 UNF RH	3/8" NPT	1.73	4.53	1.18	0.55	0.28	3.21	0.6555/0.6553	0.20	0.6560/0.6556	0.33	0.79	0.9
GLA009015681	5/8" - 18 UNF LH	3/8" NPT	1.73	4.53	1.18	0.55	0.28	3.21	0.6555/0.6553	0.20	0.6560/0.6556	0.33	0.79	0.9

*K and X in mm for metric threads.



Rotor Housing

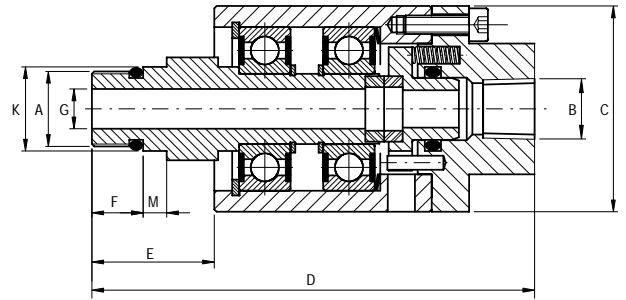
Type	Pressure (PSI)	Temperature (°F)	RPM	Flow Rate (gpm)
GL/GLA006	1,595	250	15,000	3.2
GL/GLA009	1,595	250	15,000	7.4

Features and Benefits

- Labyrinth seal and drain holes protect bearings
- Optimized seal balance ratio
- Tungsten carbide seal faces resist wear and thermal shock
- Precision ball bearings eliminate vibration
- Anodized aluminum body
- Full flow area, minimal pressure drop
- Multiple stainless steel springs located outside the flow
- Stainless steel rotor resists corrosion

TYPE GS/GSA

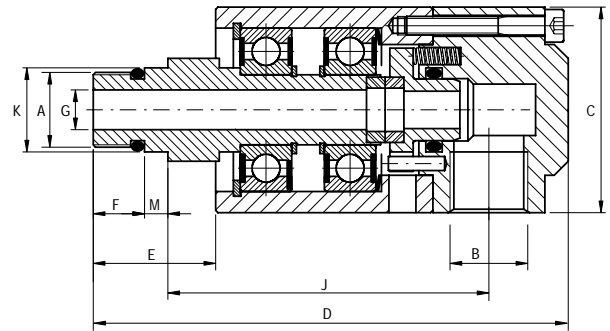
GS



Type	A	B	C	D	E	F	G	K*	M	X*	Y	Z	Weight (lb)
GS006003820	5/8" - 18 UNF RH	1/4" NPT	1.73	3.86	1.16	0.55	0.33	0.6560/0.6556	0.20	0.6560/0.6556	0.33	0.79	0.7
GS006003819	5/8" - 18 UNF LH	1/4" NPT	1.73	3.86	1.16	0.55	0.33	0.6560/0.6556	0.20	0.6560/0.6556	0.33	0.79	0.7
GS009003822	5/8" - 18 UNF RH	3/8" NPT	1.73	3.86	1.16	0.55	0.33	0.6560/0.6556	0.20	0.6560/0.6556	0.33	0.79	0.7
GS009003821	5/8" - 18 UNF LH	3/8" NPT	1.73	3.86	1.16	0.55	0.33	0.6560/0.6556	0.20	0.6560/0.6556	0.33	0.79	0.7
GS006002513	M16 X 1.5 LH	1/4" NPT	1.73	3.74	1.04	0.43	0.33	17.994/17.983	0.20	17.997/18.007	0.33	0.67	0.7
GS009002514	M16 X 1.5 LH	3/8" NPT	1.73	3.74	1.04	0.43	0.33	17.994/17.983	0.20	17.997/18.007	0.33	0.67	0.7

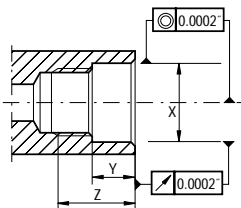
*K and X in mm for metric threads.
Recommended for horizontal installations only

GSA



Type	A	B	C	D	E	F	G	J	K*	M	X*	Y	Z	Weight (lb)
GSA006003824	5/8" - 18 UNF RH	1/4" NPT	1.73	4.13	1.16	0.55	0.33	2.72	0.6560/0.6556	0.20	0.6560/0.6556	0.33	0.79	0.8
GSA006003823	5/8" - 18 UNF LH	1/4" NPT	1.73	4.13	1.16	0.55	0.33	2.72	0.6560/0.6556	0.20	0.6560/0.6556	0.33	0.79	0.8
GSA009003826	5/8" - 18 UNF RH	3/8" NPT	1.73	4.13	1.16	0.55	0.33	2.72	0.6560/0.6556	0.20	0.6560/0.6556	0.33	0.79	0.8
GSA009003825	5/8" - 18 UNF LH	3/8" NPT	1.73	4.13	1.16	0.55	0.33	2.72	0.6560/0.6556	0.20	0.6560/0.6556	0.33	0.79	0.8
GSA006002519	M16 X 1.5 LH	1/4" NPT	1.73	4.02	1.04	0.43	0.33	2.72	17.994/17.983	0.20	17.997/18.007	0.33	0.67	0.8
GSA009002523	M16 X 1.5 LH	3/8" NPT	1.73	4.02	1.04	0.43	0.33	2.72	17.994/17.983	0.20	17.997/18.007	0.33	0.67	0.8

*K and X in mm for metric threads.
Recommended for horizontal installations only



Rotor Housing

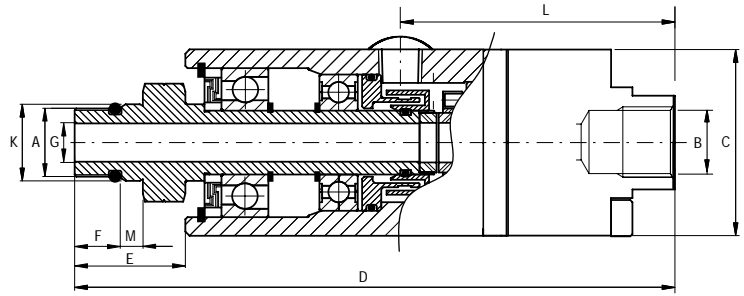
Type	Pressure (PSI)	Temperature (°F)	RPM	Flow Rate (gpm)
GS/GSA006	1,000	250	10,000	3.2
GS/GSA009	1,000	250	10,000	7.4

Features and Benefits

- Precision ball bearings eliminate vibration
- Optimized seal balance ratio
- Multiple stainless steel springs located outside the flow
- Tungsten carbide seal faces resist wear and thermal shock
- Full flow area, minimal pressure drop
- Stainless steel rotor resists corrosion

TYPE GX/GXA DRY RUNNING

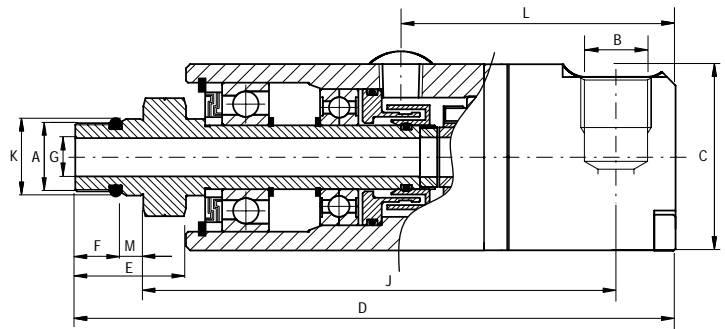
GX



Type	A	B	C	D	E	F	G	K*	L	M	X*	Y	Z	Weight (lb)
GX009013980	5/8" - 18 UNF LH	3/8" NPT	1.73	5.67	1.14	0.55	0.35	0.6555/0.6553	2.56	0.20	0.6550/0.6556	0.33	0.79	1.3
GX009013981	M16 X 1.5 LH	3/8" BSP	1.73	5.55	1.02	0.43	0.35	17.994/17.983	2.56	0.20	18.007/17.997	0.33	0.67	1.3

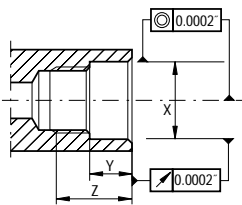
*K and X in mm for metric threads.

GXA



Type	A	B	C	D	E	F	G	J	K*	L	M	X*	Y	Z	Weight (lb)
GXA009013982	5/8" - 18 UNF LH	3/8" NPT	1.73	5.67	1.14	0.55	0.35	4.44	0.6555/0.6553	2.56	0.20	0.6560/0.6556	0.33	0.79	1.3
GXA009013983	M16 X 1.5 LH	3/8" BSP	1.73	5.55	1.02	0.43	0.35	4.37	17.994/17.983	2.56	0.20	18.007/17.997	0.33	0.67	1.3

*K and X in mm for metric threads.



Rotor Housing

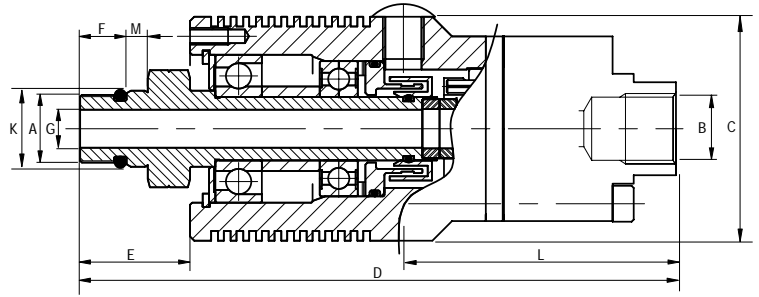
Pressure (PSI)	Temperature (°F)	RPM	Flow Rate (gpm)
1,000	250	10,000	7.4

Features and Benefits

- Auto-Off™ seal device permits dry running
- Optimized seal balance ratio for minimal friction
- Precision ball bearings widely spaced to eliminate wobble and vibration
- Labyrinth seal and drain holes protect bearings
- Anodized aluminum body
- Tungsten carbide seal faces resist wear and thermal shock
- Reduced coolant misting for improved air quality

TYPE GZ/GZA DRY RUNNING

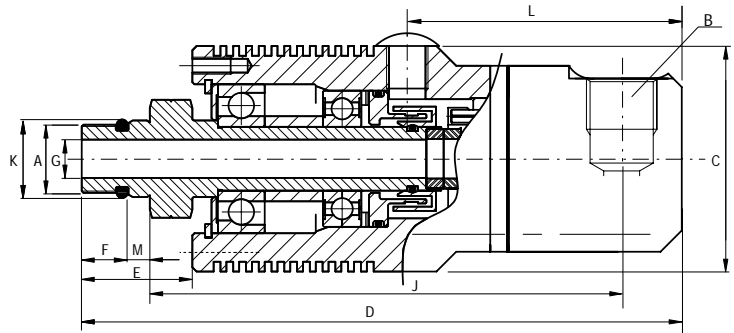
GZ



Type	A	B	C	D	E	F	G	K*	L	M	X*	Y	Z	Weight (lb)
GZ006015770	5/8" - 18 UNF LH	1/4" NPT	2.09	5.67	1.14	0.55	0.35	0.6555/0.6553	2.56	0.20	0.6560/0.6556	0.33	0.79	1.3
GZ006015771	M16 X 1.5 LH	1/4" BSP	2.09	5.55	1.02	0.43	0.35	17.994/17.983	2.56	0.20	18.007/17.997	0.33	0.67	1.3
GZ009015772	5/8" - 18 UNF LH	3/8" NPT	2.09	5.67	1.14	0.55	0.35	0.6555/0.6553	2.56	0.20	0.6560/0.6556	0.33	0.79	1.3
GZ009015773	M16 X 1.5 LH	3/8" BSP	2.09	5.55	1.02	0.43	0.35	17.994/17.983	2.56	0.20	18.007/17.997	0.33	0.67	1.3

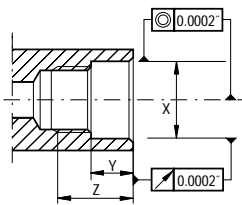
*K and X in mm for metric threads.

GZA



Type	A	B	C	D	E	F	G	J	K*	L	M	X*	Y	Z	Weight (lb)
GZA006015774	5/8" - 18 UNF LH	1/4" NPT	2.09	5.67	1.14	0.55	0.35	4.49	0.6555/0.6553	2.56	0.20	0.6560/0.6556	0.33	0.79	1.3
GZA006015775	M16 X 1.5 LH	1/4" BSP	2.09	5.55	1.02	0.43	0.35	4.37	17.994/17.983	2.56	0.20	18.007/17.997	0.33	0.67	1.3
GZA009015776	5/8" - 18 UNF LH	3/8" NPT	2.09	5.67	1.14	0.55	0.35	4.49	0.6555/0.6553	2.56	0.20	0.6560/0.6556	0.33	0.79	1.3
GZA009015777	M16 X 1.5 LH	3/8" BSP	2.09	5.55	1.02	0.43	0.35	4.37	17.994/17.983	2.56	0.20	18.007/17.997	0.33	0.67	1.3

*K and X in mm for metric threads.



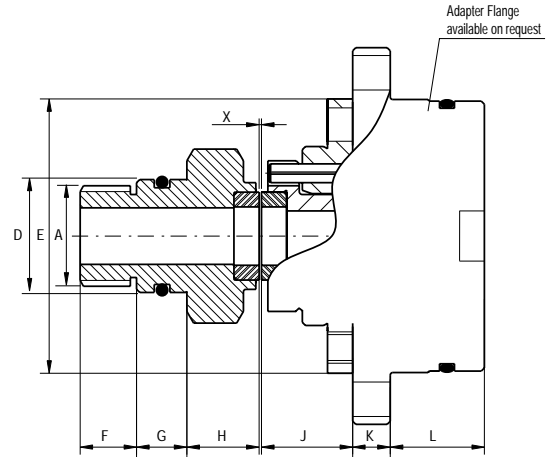
Rotor Housing

Type	Pressure (PSI)	Temperature (°F)	RPM	Flow Rate (gpm)
GZ/GZA006	1,500	250	20,000	3.2
GZ/GZA009	1,000	250	15,000	7.4

Features and Benefits

- Auto-Off™ seal device permits dry running
- Optimized seal balance ratio for minimal friction
- Tungsten carbide seal faces resist wear and thermal shock
- High precision angular contact bearings eliminate wobble and vibration
- Labyrinth seal and drain holes protect bearings
- Anodized aluminum body with cooling fins
- High speed, dry run applications
- Reduced coolant misting for improved air quality

G5050



Type	A	D*	E	F	G	H	J	K	L	X	Weight (lb)
GX009014642	M16 X 1.5	18.007/17.997	1.73	0.35	0.31	0.47	0.59	0.24	0.59	0.01 – 0.24	0.7

*D in mm.

Pressure (PSI)	Temperature (°F)	RPM	Flow Rate (gpm)
1,500	250	30,000	7.4

Features and Benefits

- High speed bearingless coolant union
- External bracket-supported for speeds up to 30,000 RPM
- Auto-Off™ seal device option permits dry running
- Stainless steel body mounted on stationary surface
- Stub rotor mounted directly onto the spindle end
- Compact, precision design for installation flexibility
- Tungsten carbide seal faces resist wear and thermal shock
- Reduced coolant misting for improved air quality
- Custom designed rotary unions with housing or housing-less options
- Stroke between stationary and rotary components up to 0.24"
- High pressure designs (up to 2,200 psi) available

CUSTOM DESIGNED UNIONS

Custom designed unions from Johnson-Fluiten are available in both housing-less and housed versions. When the rotary union you require is not shown in the catalog, Johnson-Fluiten's team of engineers are ready to design and manufacture a custom union for your specific application.

Figure 1

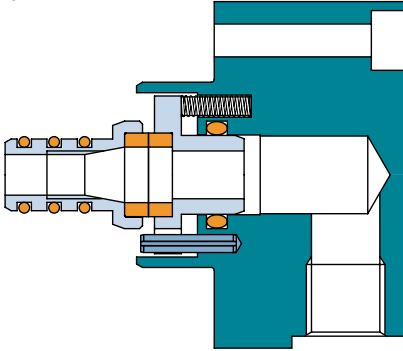


Figure 2

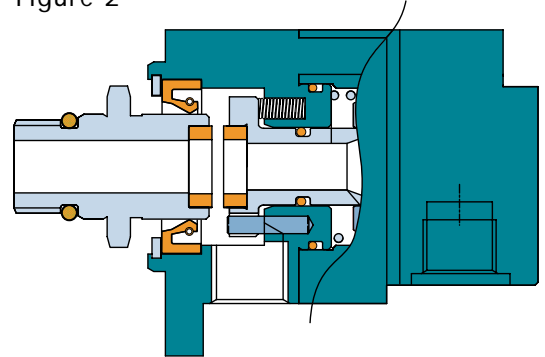


Figure 3

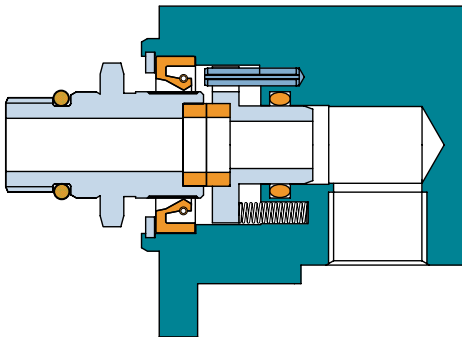


Figure 4

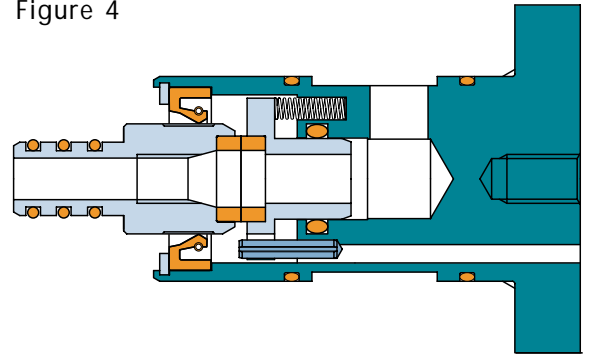


Figure 5

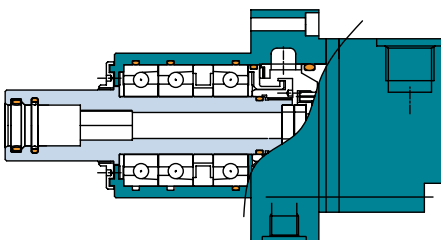
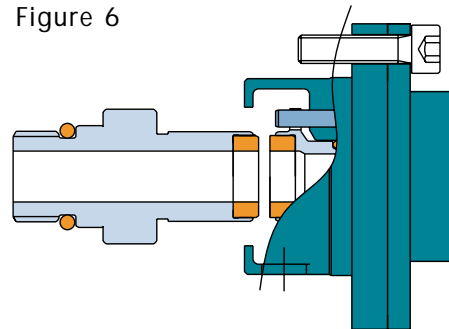
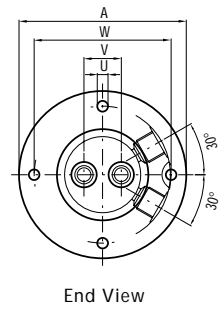
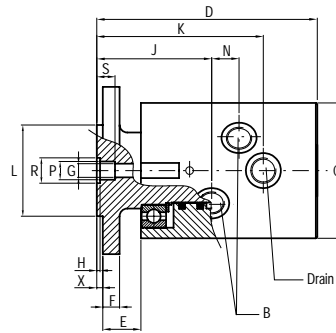


Figure 6



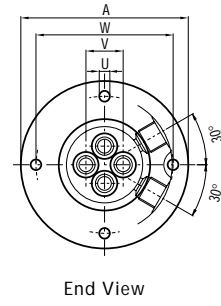
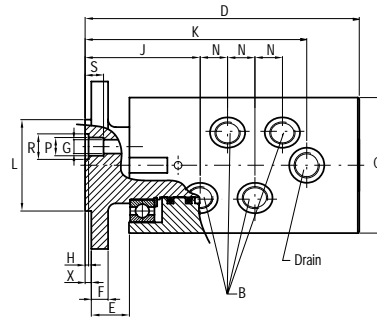
MULTI-PASSAGE ROTARY UNIONS

G2M



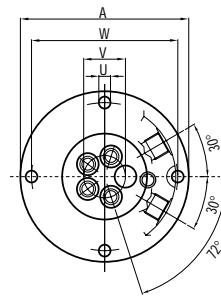
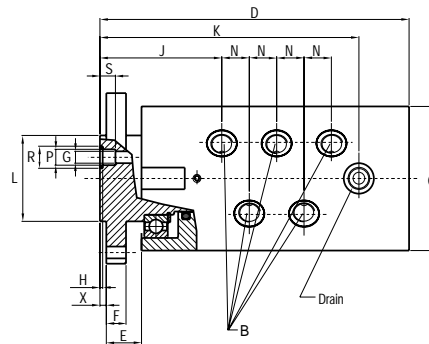
End View

G4M



End View

G5M



End View

Type	A	B	C	D	E	F	G	H	J	K	L	N	P	R	S	U	V	W	X
G2M009001494	4.33	3/8" BSP	3.50	5.71	0.98	0.43	0.35	0.08	2.99	4.33	2.36	0.71	0.47	0.67	0.47	0.28	0.98	3.54	0.16
G2M012002385	5.12	1/2" BSP	4.25	6.22	0.98	0.55	0.47	0.08	3.19	4.84	2.95	0.91	0.59	0.79	0.59	0.35	1.14	4.33	0.16
G4M009001454	4.33	3/8" BSP	3.50	7.09	0.98	0.43	0.35	0.08	2.99	5.75	2.36	0.71	0.47	0.67	0.47	0.28	0.98	3.54	0.16
G4M012003608	5.12	1/2" BSP	4.25	7.95	0.98	0.55	0.47	0.08	3.19	6.65	2.95	0.91	0.59	0.79	0.59	0.35	1.14	4.33	0.16
G5M009015044	5.12	3/8" BSP	4.29	9.33	1.06	0.59	0.35	0.08	3.70	7.83	2.56	0.83	0.47	0.67	0.47	0.35	1.26	4.41	0.20

Inter-passage leakage may occur, check compatibility of different fluids.

Fluid	Pressure (PSI)	Temperature (°F)	RPM
Air	150	195	100
Hydraulic Oil	880	195	100
	3,570	195	10

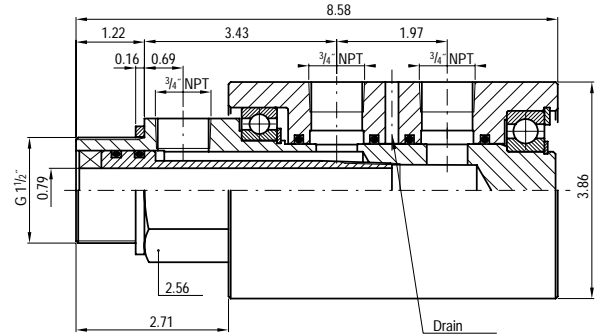
Features and Benefits

- Multi-passage rotary unions for air and oil
- Precision ball bearings are lubricated for life
- Proprietary "slide" seal provides long life and dry-running
- Heat-treated (hardened) stainless steel rotor
- Drain holes can be connected to a drain line
- Designed for multi-station index tables

G2M019003818

Fluid	Pressure (PSI)	Temperature (°F)	RPM
Air	150	195	100
Hydraulic Oil	880	195	100
	3,570	195	10

Inter-passage leakage may occur, check compatibility of different fluids.

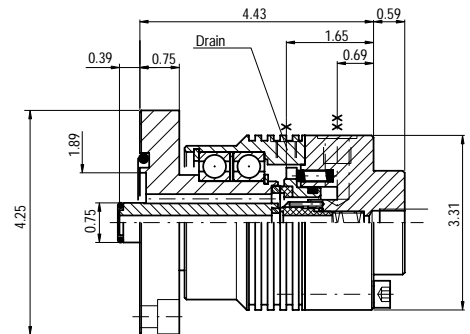


Features and Benefits

- Two-passage rotary union for air and oil
- Precision ball bearings are lubricated for life
- Heat-treated (hardened) stainless steel rotor
- Drain holes can be connected to a drain line
- Anodized aluminum body

G/5007/0004

Fluid	Pressure (PSI)	Temperature (°F)	RPM
Air	150	250	1,500
Hydraulic Oil	1,000	250	1,500



Features and Benefits

- High-speed two-passage rotary union for air, hydraulic oil and coolant
- Unique seal design prevents “accidental” leakage when both passages are pressurized
- Mechanical seal provides long life and positive sealing
- High precision ball bearings are lubricated for life
- Heat-treated (hardened) stainless steel rotor
- Drain holes can be connected to a drain line

INSTALLATION AND OPERATION RECOMMENDATIONS

Type G rotary unions are high-precision components that provide smooth running operation at high speeds. Due to the precise manufacturing tolerances, these unions require care during installation and maintenance.

Installation instructions are available online at www.coolantunion.com or from your local Johnson sales office.

Flexible Hose

To ensure free movement of the union and elimination of side loading, the proper installation, type and length of flexible hose should be used. Johnson recommends SAE 100R1 Type AT single-braid hose. The minimum length of hose is 12" for a one-piece installation.



It is important to connect the hose to the union prior to installation of the union onto the spindle. Damage can occur to the ball bearing races in the union if the hose is attached to a union mounted on a spindle.

Lubrication

The seal faces in all Type G rotary unions are lubricated by the media (coolant, hydraulic oil, etc.) passing through the union. The Auto-Off™ seal device found in the GX, GZ and G5050 unions permits dry running. All ball bearings are lubricated for life and require no additional lubrication.

Filtration

It is important to follow the filtration requirements recommended by the machinery OEM. Johnson-Fluiten unions do not require additional filtration other than what is recommended for the coolant pumping system.

Guarantee

Type G unions are tested prior to shipment and are warranted against manufacturing defects for 12 months. Johnson's global sales and service network stands behind its products and provides support to more than 150 countries worldwide.

GLOBAL SALES AND SERVICE NETWORK

Many suppliers have made a commitment to the international marketplace. But few have taken that commitment as far as Johnson-Fluiten.

To assure product availability wherever it's needed, type G Rotary Unions are sold and serviced in Asia, Europe, North America and South America.

Because knowledgeable advice and prompt service are as important as the products, Johnson has factory-authorized representatives in nearly one hundred and fifty countries. So no matter where you are, Johnson products, service and assistance are nearby.



EUROPEAN HEADQUARTERS

JOHNSON-FLUITEN, S.r.l.
Via Newton, 21
20016 Pero, Milano
tel: +39.02.3394091
fax: +39.02.33940950
www.johnson-fluiten.com



NORTH AMERICAN HEADQUARTERS

THE JOHNSON CORPORATION
805 Wood Street
Three Rivers, MI 49093 USA
tel: +1.269.278.1715
fax: +1.269.279.5980
www.joco.com

For a complete listing of Johnson's global sales and service network visit www.joco.com.



johnson products and services

Rotary Joints

Precision Rotary Unions

Stationary and Rotary Syphons

Turbulator® Tube™ Bars

Thermocompressors

Desuperheaters

Separator Stations

Liqui-Mover® Fluid Handling System

Flexible Hose

Sight Flow Indicators

Steam and Condensate Systems

Dryer Section Surveys

Dryer Management Systems

Installation Services

*Corporate Headquarters:
The Johnson Corporation
805 Wood Street
Three Rivers, MI 49093
phone: 1.269.278.1715
fax: 1.269.279.5980
www.joco.com*