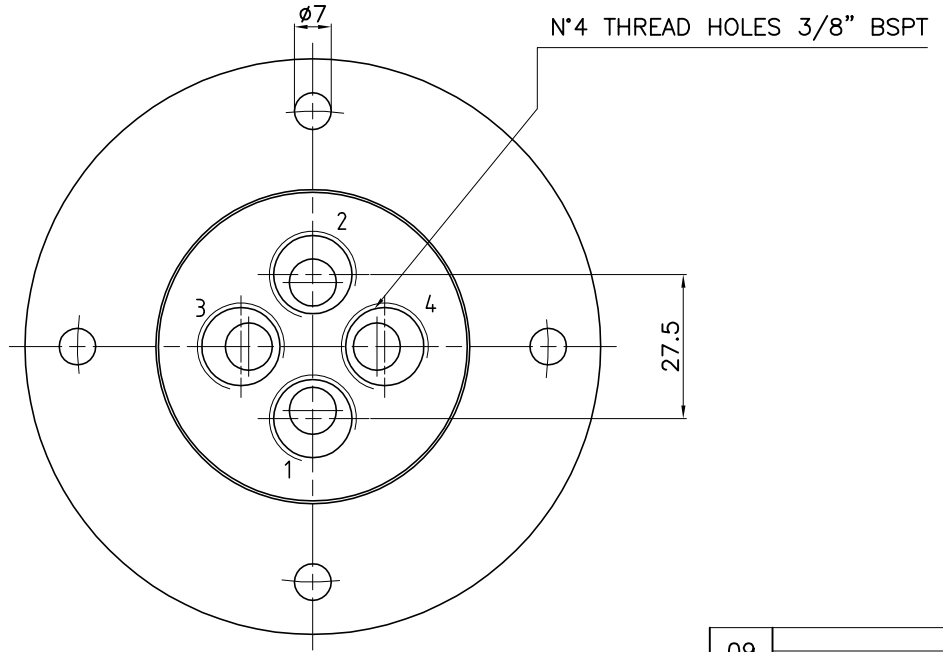
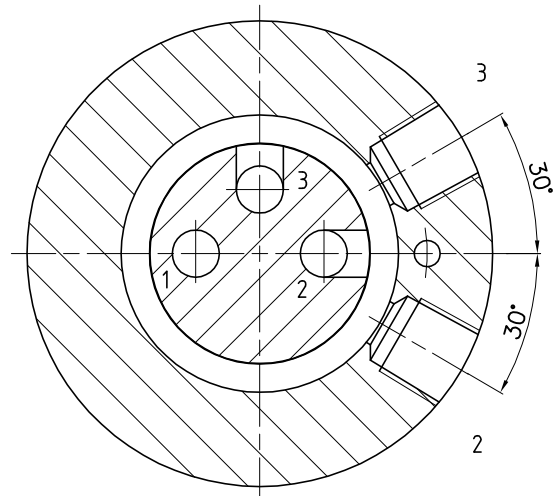
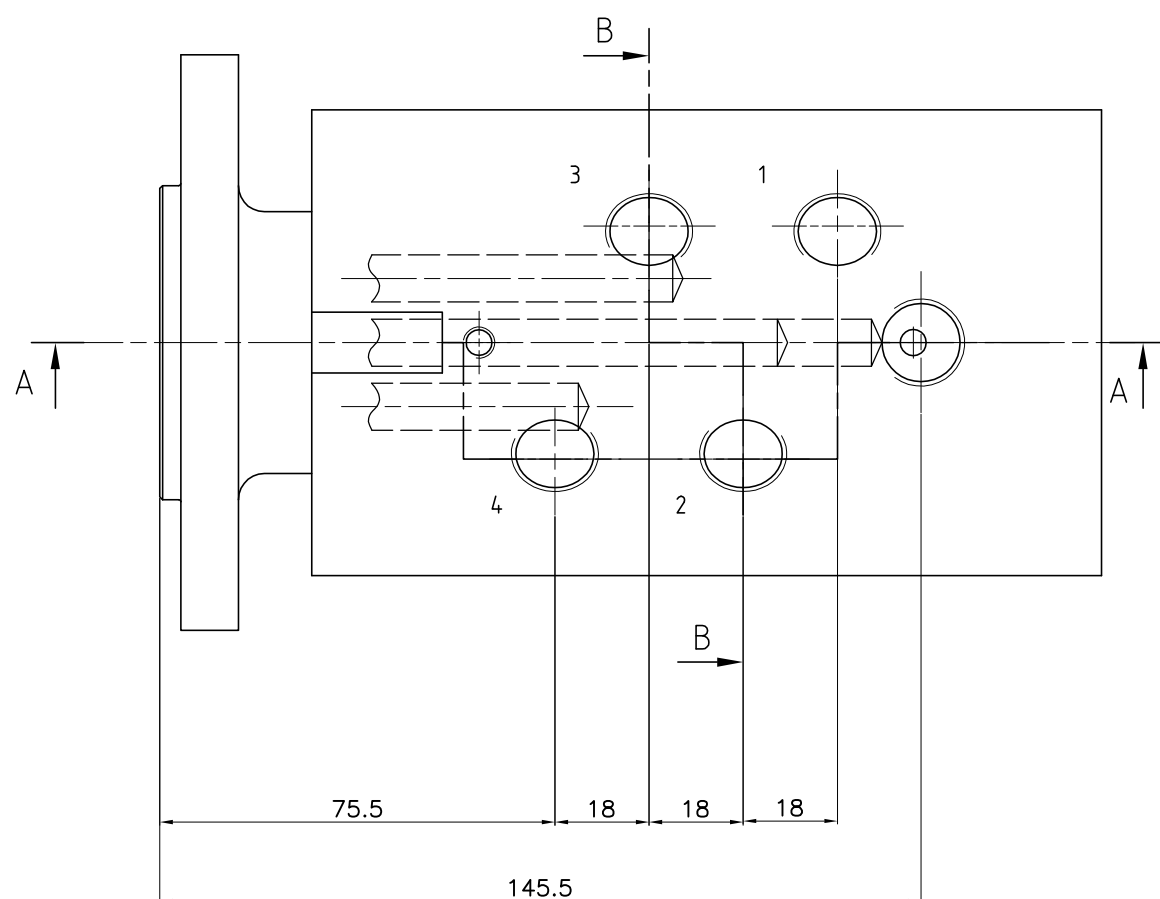


VIEW FROM A



SECT. B - B



09	ROTARY SEAL	7	8459042T1G	P.T.F.E. + N.B.R.
08	PLUG	1	V100061056F	STEEL
07	RETAINING RING	1	V100021122F	STEEL
06	SEEGER	1	V100020085F	STEEL
05	RETAINING RING	1	V100020095F	STEEL
04	BALL BEARING	1	V200AB035E000	STEEL
03	BALL BEARING	1	V200AA045E000	STEEL
02	BODY	1	F50232/02B5	BRASS
01	ROTOR	1	F50232/01Y5	AISI 420
POS.	DESCRIZIONE	Q.TA'	CLASSIFICA	MATERIALI
POS.	DESCRIPTION	Q.TY	PART No	MATERIALS

© 2015 PROPERTY OF JOHNSON-FLUITEN Srl THE DRAWING AND ITS INFORMATION ARE CONFIDENTIAL AND MUST BE RETURNED IF REQUESTED BY JOHNSON-FLUITEN Srl.				
Permissible deviations on untoleranced machining dimensions as below		PATTERN NO:	REFERENCE DRAWING:	TREATMENT:
ISO 2768-m		ANGULAR TOLERANCE:	REQUEST NO:	MATERIAL:
Tolerance		± 0°30'	LOCATION: 243	:N. AMERICA :EUROPE :ASIA :S. AMERICA
mm	± mm	DEBURR:	TITLE: ROTARY JOINT TYPE G4M009039108	
Up to 6	0.1	DRAWN BY: BTT	ARTICLE NO:	
6-30	0.2	CHECKED BY: LM	SCALE: 1:1	PAGE: 1 OF 1
30-120	0.3	DATE: 03/03/2015	DRAWING NO: F50232	REV:
120-400	0.5	JOHNSON-FLUITEN www.johnson-fluiten.com		
400-1000	0.8	ARTICLE NO:		
1000-2000	1.2	DRAWING NO: F50232		
2000-4000	2	REV:		