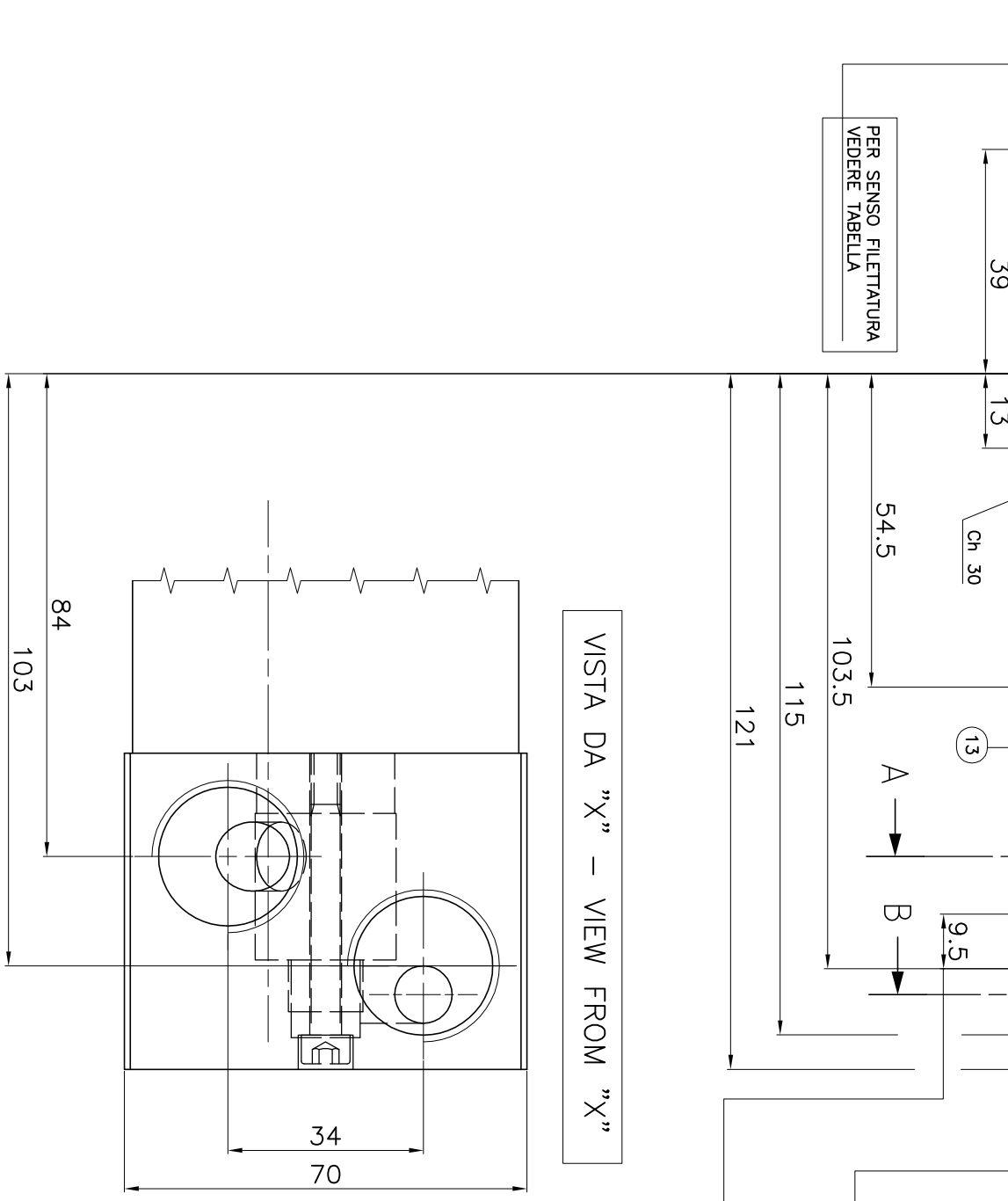
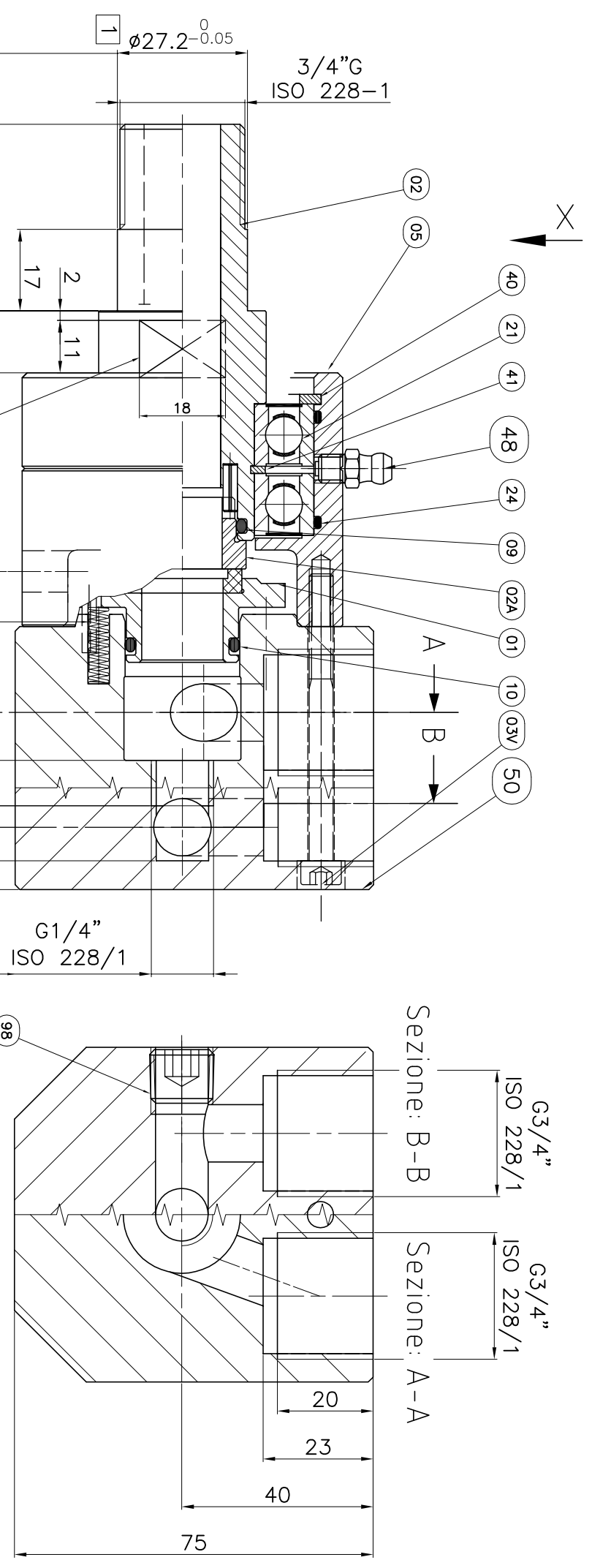


GIUNTO-JOINT TYPE	CODICE-CODE	FILETTATURE-THREADS
RH019/50166/B4F1R	RH019036379	ROTORE DX-SIFONE DX
RH019/59166/B4F1L	RH019036380	ROTORE SX-SIFONE SX



POS.	DESCRIPTION	Q.TA'	CLASSIFICA	PART No	MATERIALS
98	TAPPO PLUG	1		V100061036	DA COMMERCIO COMMERCIAL
50	CORPO BODY	1		F5966/01B5F8	OTTONE+ACC.CARB. BRASS+STEEL
48	INGRASSATORE GREASER	1		V100070056W12	DA COMMERCIO COMMERCIAL
41	ANELLO ELASTICO RETAINING RING	1		V100020080F5	DA COMMERCIO RETAINING RING
40	ANELLO ELASTICO RETAINING RING	1		V100021105F5	DA COMMERCIO COMMERCIAL
24	GUARNIZIONE SUPPORTO SUPPORT GASKET	2		6666815V	FLUOROELASTOMERO FLUOROELASTOMER DA COMMERCIO COMMERCIAL
21	CUSCINETTO BEARING	2		V200AA030C103	DA COMMERCIO COMMERCIAL
13	MOLLA SPRING	3		665585E	DA COMMERCIO COMMERCIAL
10	GUARNIZIONE ANELLO STAZIONARIO STATIONARY RING GASKET	1		6666444G4	T.F.E.PROPYLENE T.F.E.PROPYLENE
09	GUARNIZIONE ANELLO ROTANTE ROTARY RING GASKET	1		6666440G4	T.F.E.PROPYLENE T.F.E.PROPYLENE
05	SUPPORTO CUSCINETTO BEARING SUPPORT	1		5416019C5	ALLUMINIO ALUMINIUM
03V	VITE SCREW	3		V100001137E	DA COMMERCIO COMMERCIAL
02A	ANELLO ROTANTE ROTARY RING	1		5605016U41	CARBURIO DI SILICIO SILICON CARBIDE
02	ROTORE ROTOR	1		4907019Y	DA COMMERCIO COMMERCIAL
01	ANELLO STAZIONARIO STATIONARY RING	1		7831019EZ1	DA COMMERCIO COMMERCIAL

PERMISSIBLE DEVIATIONS ON UNTOOLERANCED MACHINING DIMENSIONS AS BELOW ISO 2768-m TOLERANCE mm ±mm Up to 6 0.1 6-30 0.2 30-120 0.3 120-400 0.5 400-1000 0.8 1000-2000 1.2 2000-4000 2		PATTERN NO.: ANGULAR TOLERANCE: ± 0°30' REQUEST NO.: LOCATION: 243 DEBURR: DRAWN BY: L.M. CHECKED BY: MC DATE: 12/11/13 PROJECTION:		REFERENCE DRAWING: MATERIAL: TREATMENT: TITLE: ROTARY JOINT TYPE RH/50166/B4F1x ARTICLE NO: VEDERE TABELLA - SEE THE TABLE SCALE: OF: DRAWING NO: F0166	
--	--	---	--	--	--

REV.	DATE	MODIFICATO DOVE INDICATO / MODIFIED WHERE INDICATED	DESCRIZIONE	DESIGNATO	APPROVATO
1	15/11/2013	MODIFICATO DOVE INDICATO / MODIFIED WHERE INDICATED		landone-m	L.M.