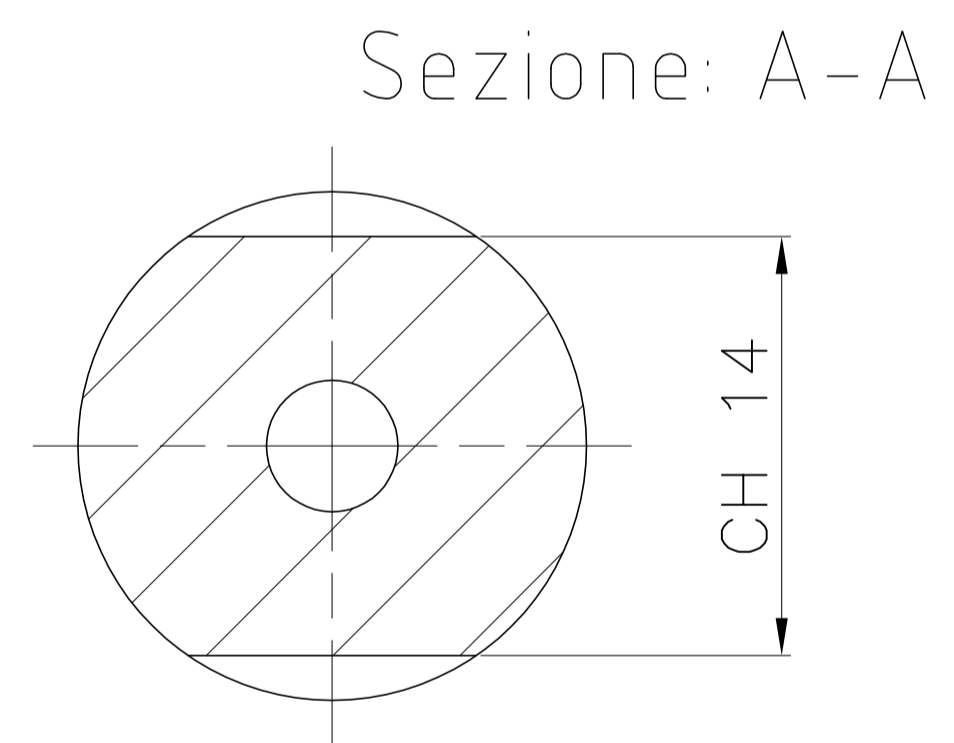
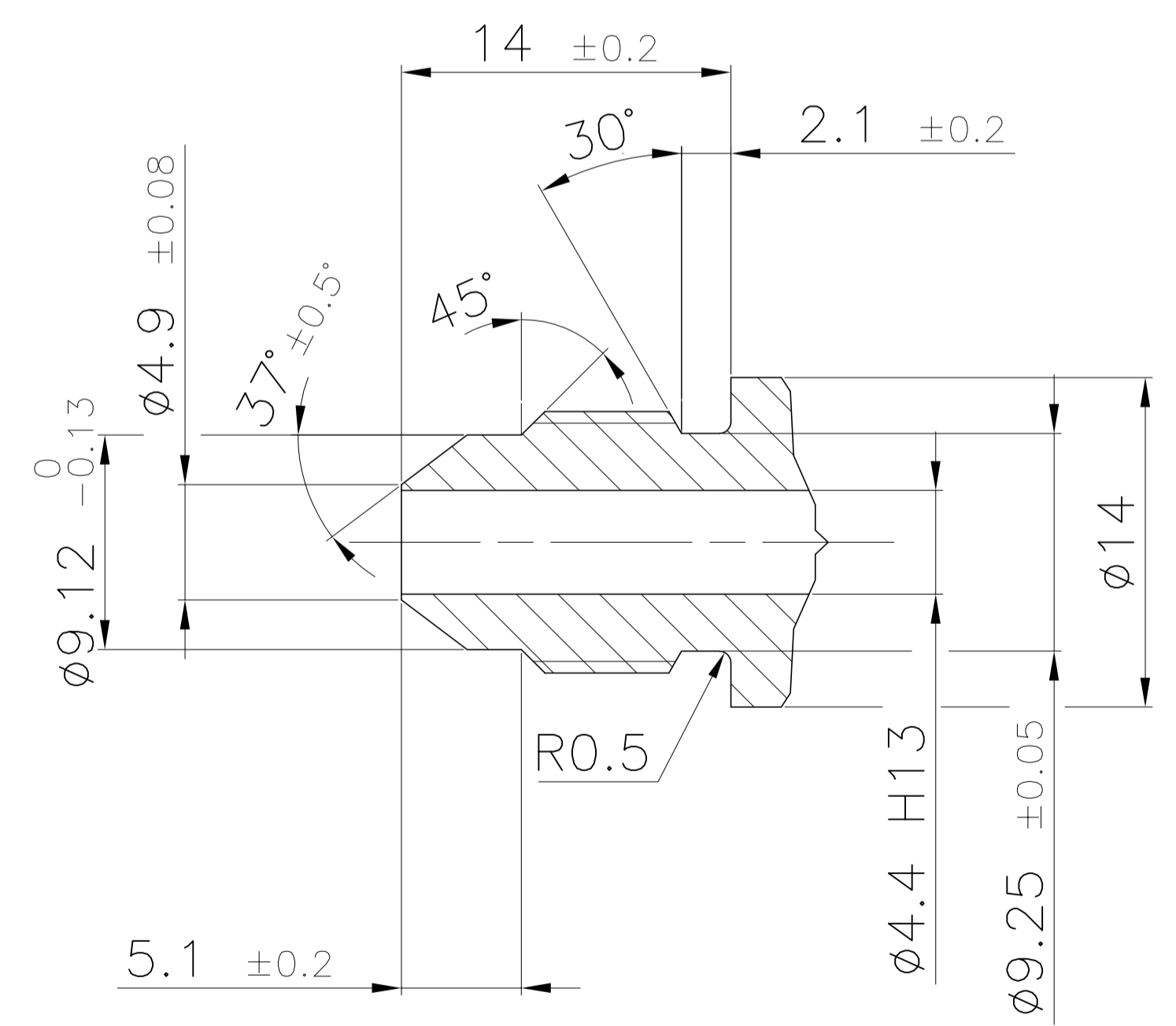


42	ORING	2	6666478V	FLUOROELASTOMERO
	ORING			FLUOROELASTOMER
41	SEEGER	1	V100020058F5	COMMERCIO
	RETAINER			COMMERCIAL
40	ANELLO ELASTICO	1	V100019072F5	DA COMMERCIO
	RETAINING RING			COMMERCIAL ITEM
31	GUARNIZIONE A LABBRO	1	V102005062V	FLUOROELASTOMERO
	LIP SEAL			FLUOROELASTOMER
25	DISTANZIALE	1	F50158/04E	ASTM A276
	SPACER			TP. 316L
21	CUSCINETTO	2	V200AA008E000	COMMERCIO
	BEARING			COMMERCIAL
20	DISTANZIALE	1	F5879/04C3	ALLUMINIO
	SPACER			ALLUMINIUM
15	RONDELLA	1	F50127/04B5	OTTONE
	WASHER			BRASS
13	MOLLA	1	665521070J	COMMERCIO
	SPRING			COMMERCIAL
10	ORING	1	6666400V3	FLUOROELASTOMERO
	ORING			FLUOROELASTOMER
05	SUPPORTO CUSCINETTI	1	F50158/03C5	ALLUMINIO
	HEAD			ALLUMINIUM
02	ROTORE	1	F50158/02QZ3	ASTM A276 TP.304 +
	NIPPLE			CARBON
01	ANELLO STAZIONARIO	1	F50127/01Y21	ASTM A276
	STATIONARY SEAL RING			TP. 420
POS.	DESCRIZIONE	Q.TA'	CLASSIFICA	MATERIALI
POS.	DESCRIPTION	Q.TY	PART No	MATERIALS



3	14/03/2014	ELIMINATA POS.14. AGGIORNATO DISEGNO		Caccamo-R	L.M.
		DELETED POS.14. UP DATED DRAWING			
2	15/11/2013	ELIMINATA POS.12		Caccamo-R	L.M.
		DELETE POS.12			
1	31/10/2013	MODIFICATA POS.25 - AGGIUNTE POS.12-40		Caccamo-R	L.M.
		MODIFIED POS.25 - ADDED POS.12-40			
INDICE MODIFICHE	DATA	DESCRIZIONE		DISEGNATO	APPROVATO

© 2013 PROPERTY OF JOHNSON-FLUITEN S.p.A. THE DRAWING AND ITS INFORMATION ARE CONFIDENTIAL AND MUST BE RETURNED IF REQUESTED BY JOHNSON-FLUITEN S.p.A.

Permissible deviations on untoleranced machining dimensions as below	PATTERN NO:	REFERENCE DRAWING:	TREATMENT:
ISO 2768-m	ANGULAR TOLERANCE:	REQUEST NO:	MATERIAL:
Tolerance	± 0°30'	LOCATION: 243	:N. AMERICA
mm	± mm	DEBURR:	:EUROPE
Up to 6	0.1	DRAWN BY: RC	:ASIA
6-30	0.2	CHECKED BY: LM	:S. AMERICA
30-120	0.3	DATE: 13/09/2013	
120-400	0.5		
400-1000	0.8		
1000-2000	1.2		
2000-4000	2		

**JOHNSON-FLUITEN**  
www.johnson-fluiten.com

ARTICLE NO: GAI003036512	TITLE: ROTARY JOINT TYPE GAI003/50158
SCALE: 2:1	PAGE: 1 OF: 1
DRAWING NO: F50158	REV: 3

DETTAGLIO ROTORE NIPPLE DETAIL