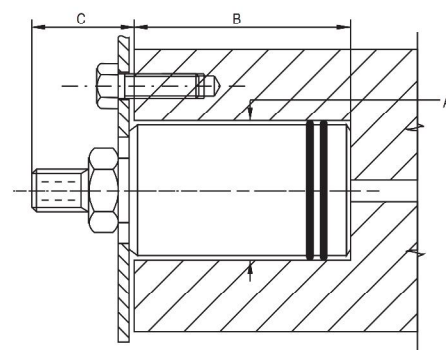


GAI



Type	Rotor	A+	B	C	Weight (Kg)
GAI003002516	M10 X 1 RH	31	48	24	0,15
GAI003002515	G 1/4" (BSP) RH	31	48	24	0,15
GAI006001215	5/8" - 18 UNF RH	39	54	27	0,5
GAI006003601	5/8" - 18 UNF LH	39	54	27	0,5
GAI006002372	G 1/4" (BSP) RH	39	54	27	0,5
GAI006003602	G 1/4" (BSP) LH	39	54	27	0,5
GAI009002780	5/8" - 18 UNF RH	44	72	28	0,5
GAI009003604	5/8" - 18 UNF LH	44	72	28	0,5
GAI009000824	G 3/8" (BSP) RH	44	72	28	0,5
GAI009003603	G 3/8" (BSP) LH	44	72	28	0,5
GAI009001380	M16 X 2 RH	44	72	28	0,5
GAI012000640	3/4" - 16 UNF RH	59	78	37	0,7
GAI012003605	3/4" - 16 UNF LH	59	78	37	0,7
GAI012003477	G 1/2" (BSP) RH	59	78	37	0,7
GAI012003607	G 1/2" (BSP) LH	59	78	37	0,7
GAI012001419	G 3/4" (BSP) RH	59	78	37	0,7
GAI012003606	G 3/4" (BSP) LH	59	78	37	0,7

+ Dimension tolerance is +0,3/+0,4

Fluid	Pressure (BAR)	Temperature (°C)	RPM
Air	10	120	1.500
Coolant	70	120	3.500
Hydraulic Oil	70	120	3.500

Features and Benefits

- ▶ Compact design mounted inside shaft
- ▶ Hardened stainless steel rotor
- ▶ Optimised seal balance ratio for minimal friction
- ▶ Available with non-contacting seal ring with hydrodynamic grooves
- ▶ Anodised aluminium body