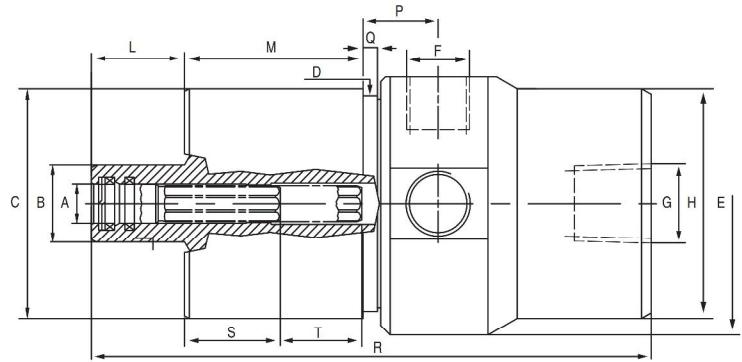


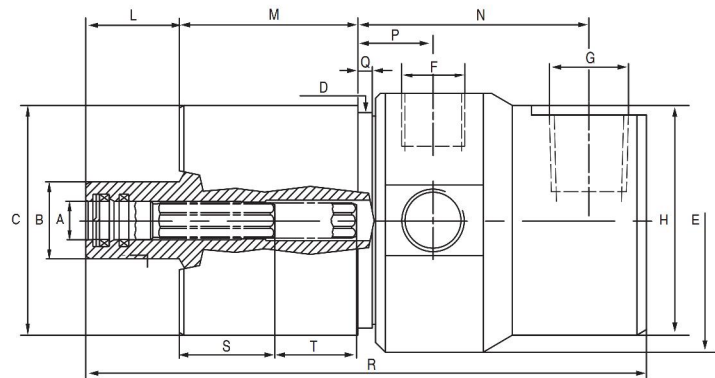
GHP/GHPA

GHP

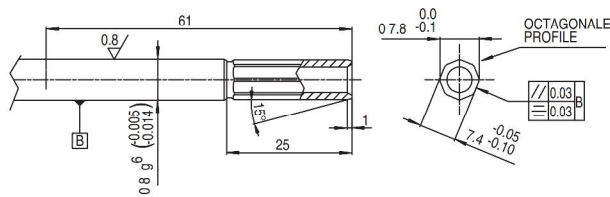


Type	A	B	C	D	E	F	G	H	L	M	P	Q	R	S	T	Weight (Kg)
GHP009	8g6	16	48/h7	45	55	1/4" BSP	3/8" BSP	48	19,5	37,3	15,7	3	117	20	17	0,60

GHPA



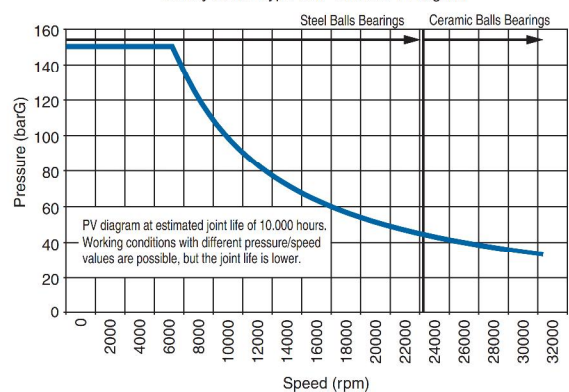
Type	A	B	C	D	E	F	G	H	L	M	N	P	Q	R	S	T	Weight (Kg)
GHPA009027981	8g6	16	48/h7	45	55	1/4" BSP	3/8" BSP	48	19,5	37,3	48,2	15,7	3	117	20	17	0,60



Type	Pressure (BAR)	Temperature (°C)	RPM
GHP/GHPA	150	90	24.000
High Speed	150	90	32.000

Fluid	Pressure (BAR)	Temperature (°C)	RPM
Air	5 maximum	90	10.000

Rotary Union Type GHP-GHPA PV Diagram



Features and Benefits

- ▶ Special seal design permits dry running
- ▶ Labyrinth seal and drain holes protect bearings
- ▶ Optimised seal balance ratio
- ▶ High precision angular contact bearings for high speeds
- ▶ Anodised aluminium body
- ▶ Full flow area, minimal pressure drop
- ▶ Long drawbar stroke for maximum flexibility
- ▶ Low heat generation in bearings and mechanical seal
- ▶ No leakage during tool change commutation
- ▶ Large drain holes to evacuate coolant from the union
- ▶ Supplied with bearings run-in upon request