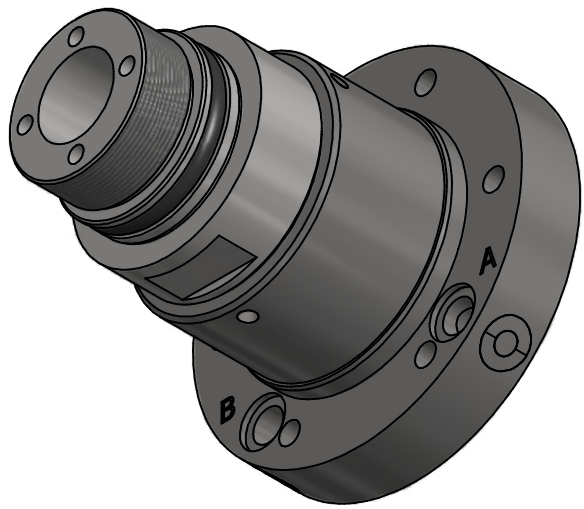
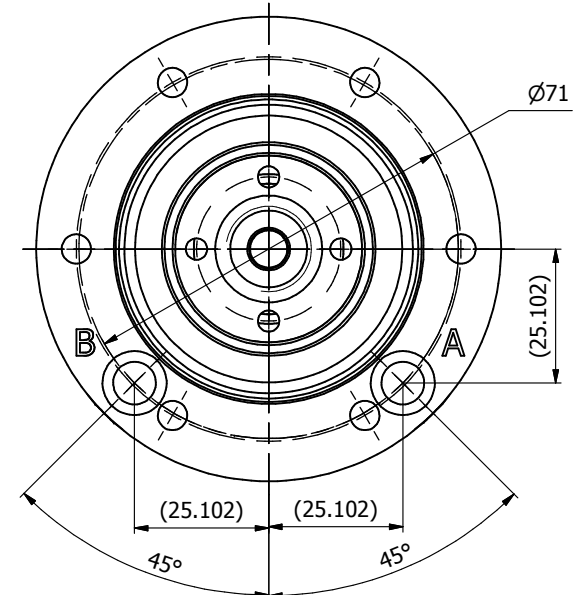


OPERATING CONDITIONS		
	LINE "A"	LINE "B"
MEDIUM	COOLANT	IDRAULIC OIL
CASE1	50 bar - 4000 rpm	NO PRESSURE
CASE2	EMPTY DUCT	150 bar - 0 rpm
CASE3	EMPTY DUCT	3 bar - 4000 rpm
CASE4	AIR 5 bar	NO PRESSURE
TEMPERATURE	AMBIENT TEMPERATURE	



3	26/04/2018	AGGIORNATO DISEGNO DRAWING UPDATED	Maccora-A	Landone-M
2	09/06/2017	MODIFICATA TABELLA COND OPERATIVE MODIFIED OPERATING COND. TAB	Maccora-A	Landone-M
1	23/02/2017	MODIFICATO SECONDO RICHIESTA MODIFIED ON REQUEST	Maccora-A	Landone-M
REV	DATA	DESCRIZIONE CRONOLOGIA REVISIONI	AUTORE	APPROVATO

© 2017 PROPERTY OF JOHNSON-FLUITEN Srl THE DRAWING AND ITS INFORMATION ARE CONFIDENTIAL AND MUST BE RETURNED IF REQUESTED BY JOHNSON-FLUITEN Srl.

Permissible deviations on untoleranced machining dimensions as below		PATTERN NO:	REFERENCE DRAWING:	TREATMENT:
ISO 2768-m		ANGULAR TOLERANCE:	REQUEST NO:	MATERIAL:
Tolerance		± 0°30'	LOCATION: 24.3	.N. AMERICA .EUROPE .ASIA .S. AMERICA
mm	± mm	DEBURR:	TITLE: ROTARY JOINT G/50305/0000 TWO WAYS - BEARINGLESS	
Up to 6	0.1	DRAWN BY: Maccora-A	PROJECTION:	ARTICLE NO: G/50305/0000
6-30	0.2	CHECKED BY: L.M.		SCALE: 1:1
30-120	0.3	DATE: 21/02/2017		PAGE: 1
120-400	0.5			DRAWING NO: G-50305-0000
400-1000	0.8	www.johnson-fluiten.com		REV: 3
1000-2000	1.2			
2000-4000	2			