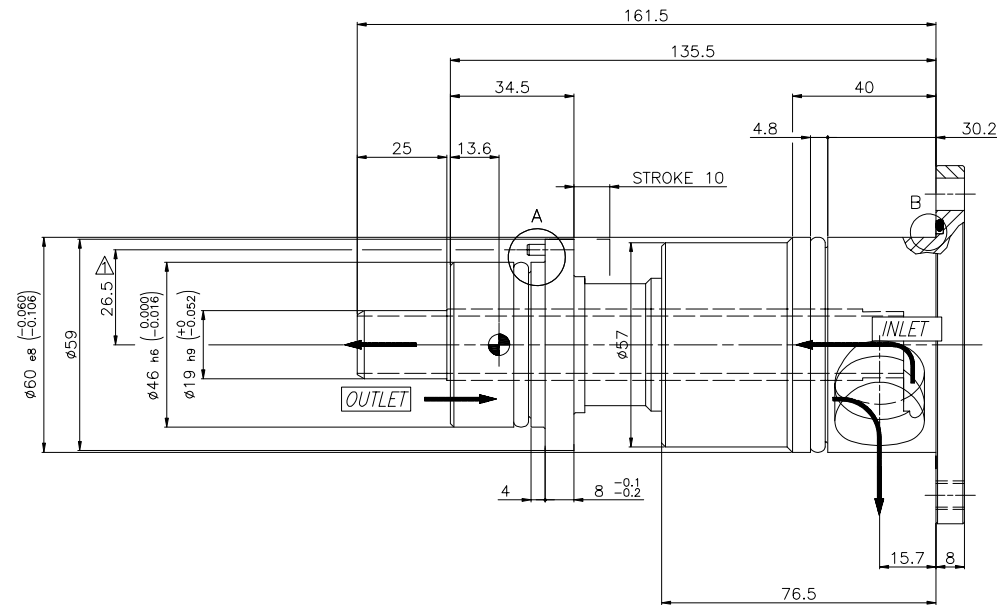
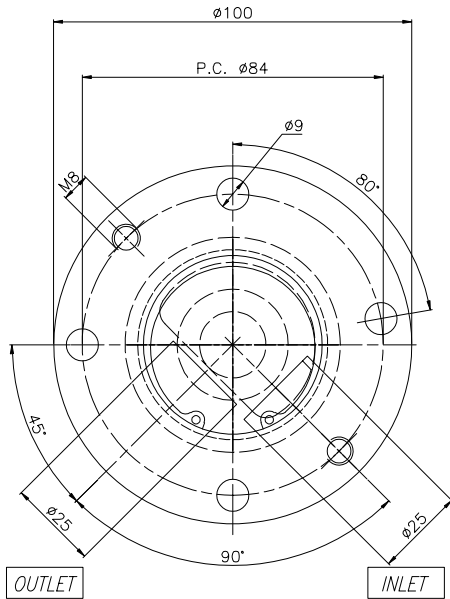
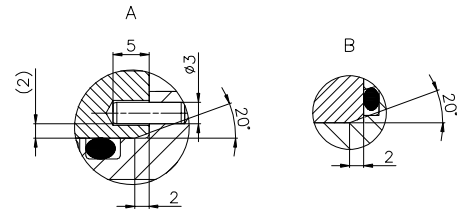


MAX.AXIAL DISPLACEMENT : 10 mm
 MAX.RADIAL DISPLACEMENT : 1 mm
 ANGULAR OFFSET : 0.3 °
 MAX.PRESSURE : 10 bar
 MAX.WORKING TEMPERATURE : 120 °c
 SPEED RANGE : 1 - 10 rpm



© 2016 PROPERTY OF JOHNSON-FLUITEN SA THE DRAWING AND ITS INFORMATION ARE CONFIDENTIAL AND MUST BE RETURNED IF REQUESTED BY JOHNSON-FLUITEN SA.				
Permissible deviations on untoleranced machining dimensions as below		PATTERN NO:	REFERENCE DRAWING:	TREATMENT:
ISO 2768-m		ANGULAR TOLERANCE:	REQUEST NO:	MATERIAL:
Tolerance		± 0°30'	LOCATION: 243	N. AMERICA EUROPE ASIA S. AMERICA
mm	± mm	DEBURR:	PROJECTION:	TITLE:
Up to 6	0.1			ROTARY JOINT TYPE SAIDI-BCI STRAND GUIDE UNIT
6-30	0.2	DRAWN BY: Maccora-A		ARTICLE NO: G/50310/0000
30-120	0.3	CHECKED BY: L.M.		SCALE: 1:1
120-400	0.5	DATE: 23/08/2016		PAGE: OF:
400-1000	0.8	JOHNSON-FLUITEN www.johnson-fluiten.com		
1000-2000	1.2			DRAWING NO: F50310
2000-4000	2			REV: 1

1	25/08/2016	MODIFICATO DOVE INDICATO MODIFIED WHERE MARKED	Maccora-A	L.M.
INDICE MODIFICHE	DATA	DESCRIZIONE	DESEGNATO	APPROVATO