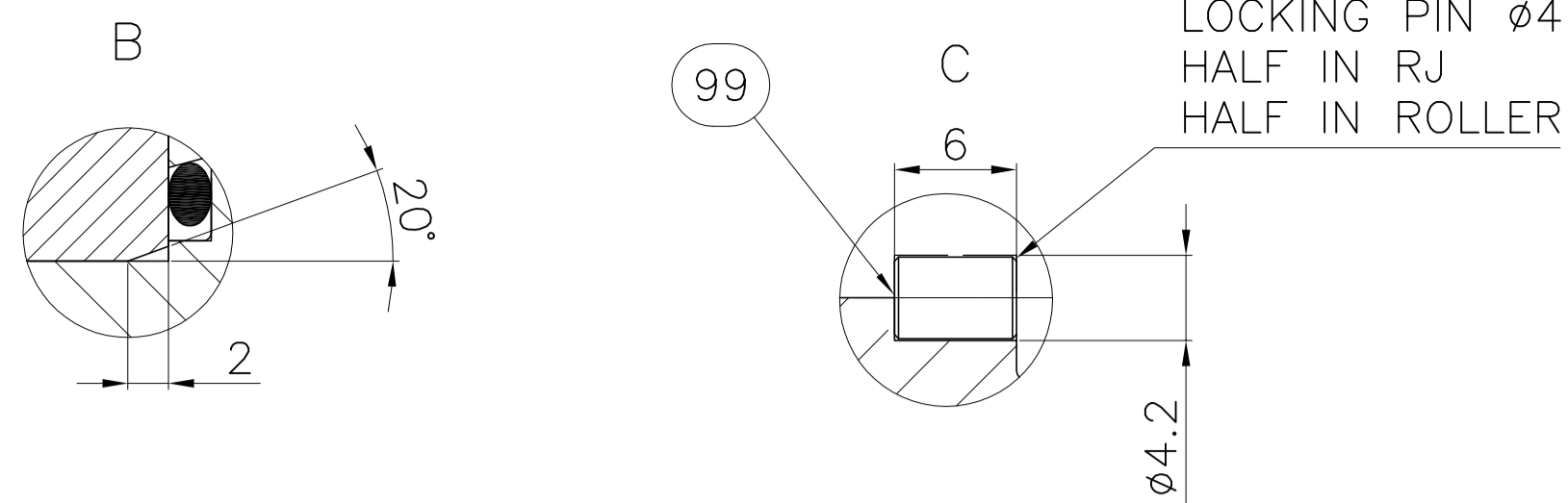
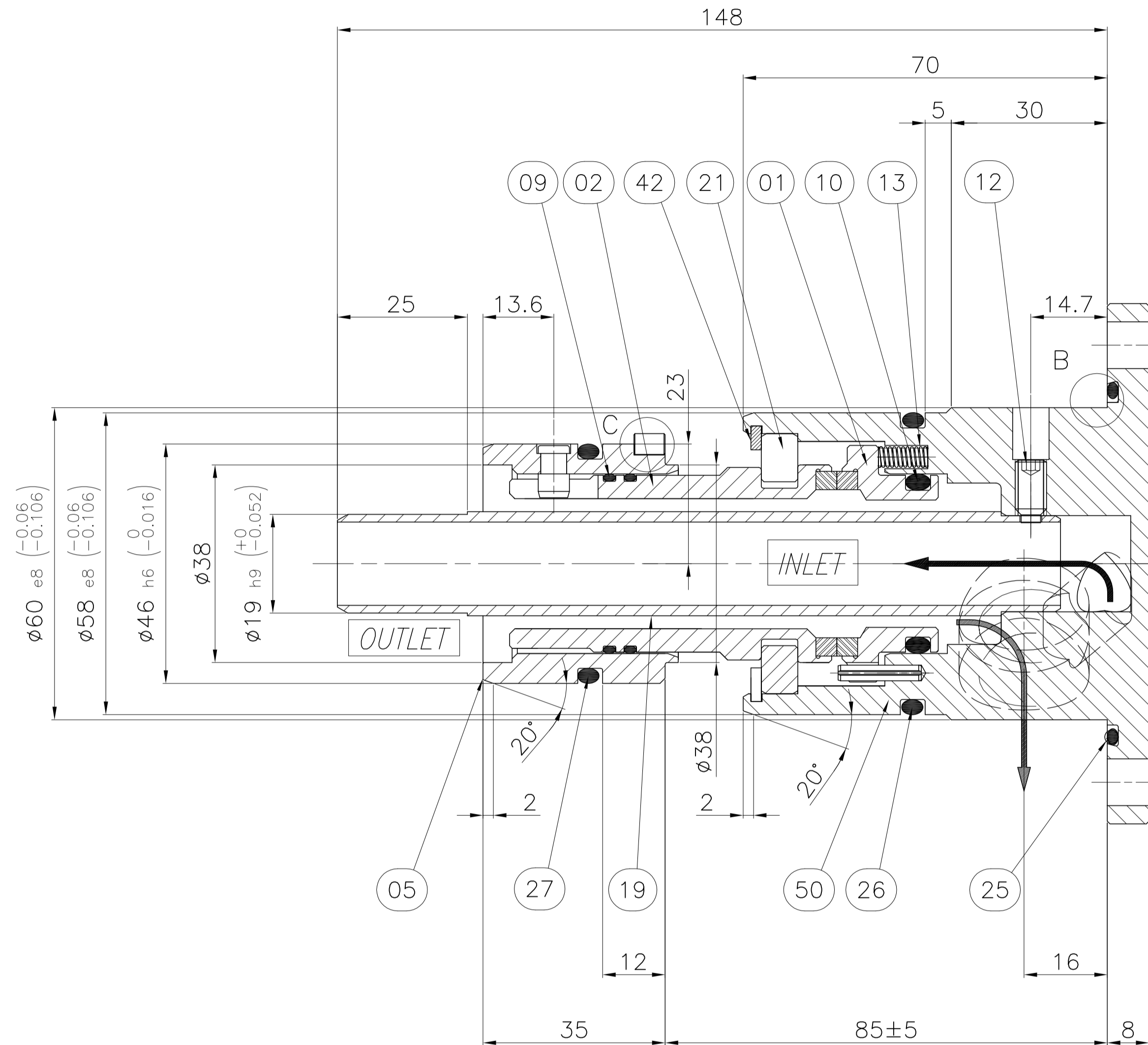
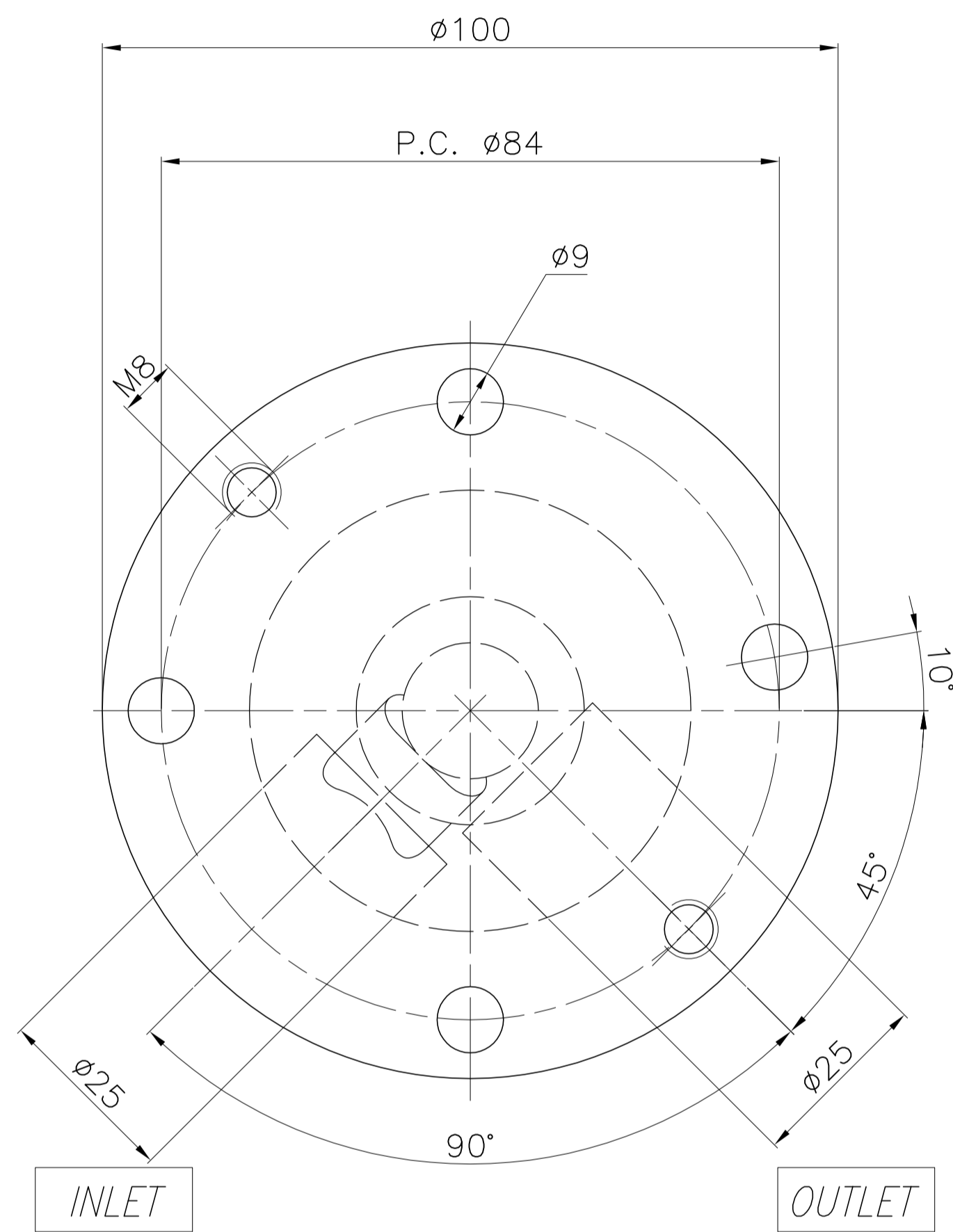


INDICE MODIFICHE	DATA	DESCRIZIONE	DISEGNATO	APPROVATO
A	15/05/2019	MASS MODIFIED MODIFICATA MASSA	Buonofiglio	L.M.



MAX.AXIAL DISPLACEMENT : 5 mm
 MAX.RADIAL DISPLACEMENT : 1 mm
 ANGULAR OFFSET : 0.3 °
 MAX.PRESSURE : 10 bar
 MAX.WORKING TEMPERATURE : 120 °c
 SPEED RANGE : 1 - 10 rpm
 FLOW RATE : 53 l/min

TEST PRESSURE : 16 bar

MASS: 2kg

99	SPINA PIN	1	V100030081E	ASTM A276 TP. 316
50	CORPO BODY	1	F50422-03B	BRONZO BRONZE
42	ANELLO D'ARRESTO RETAINING RING	1	V100021100F5	DA COMMERCIO COMMERCIAL ITEM
27	GUARNIZIONE GASKET	1	6666491V	FLUOROELASTOMERO FLUOROELASTOMER
26	GUARNIZIONE GASKET	1	6666505V	FLUOROELASTOMERO FLUOROELASTOMER
25	GUARNIZIONE GASKET	1	6666472V	FLUOROELASTOMERO FLUOROELASTOMER
21	ANELLO D'ARRESTO RETAINING RING	1	F5380-04T13	P.T.F.E. + BRONZO P.T.F.E. + BRONZE
19	SIFONE SIPHON	1	F50422-04Q	ASTM A276 TP. 304
13	MOLLA SPRING	8	665515E	ASTM A313 TP 316
12	GRANO SET SCREW	1	8663612E	ASTM A193 TP. 316
10	GUARNIZIONE GASKET	1	6666484V	FLUOROELASTOMERO FLUOROELASTOMER
09	GUARNIZIONE GASKET	2	6666424V	FLUOROELASTOMERO FLUOROELASTOMER
05	BOCCOLA GUIDA GUIDE BUSHING	1	F50422-01B	BRONZO BRONZE
02	ASSIEME ANELLO ROTANTE ROTARY RING ASSEMBLY	1	F50422-02QK2	ASTM A276 TP. 304 + TUNGSTEN CARBIDE
01	ANELLO STAZIONARIO STATIONARY SEAL RING	1	F5380-06QK2	ASTM A276 TP. 304 + TUNGSTEN CARBIDE
POS.	DESCRIZIONE	Q.TA'	CLASSIFICA	MATERIALI
POS.	DESCRIPTION	Q.TY	PART No	MATERIALS

© 2016 PROPERTY OF JOHNSON-FLUITEN S.r.l. THE DRAWING AND ITS INFORMATION ARE CONFIDENTIAL AND MUST BE RETURNED IF REQUESTED BY JOHNSON-FLUITEN S.r.l.

Permissible deviations on untoleranced machining dimensions as below	PATTERN NO:	REFERENCE DRAWING:	TREATMENT:
ISO 2768-m	ANGULAR TOLERANCE:	REQUEST NO:	MATERIAL:
Tolerance	± 0°30'	LOCATION: 24.3	:N. AMERICA :EUROPE :ASIA :S. AMERICA
mm ± mm	DEBURR:	DRAWN BY: Buonofiglio	PROJECTION:
Up to 6 0.1		CHECKED BY: L.M.	
6-30 0.2		DATE: 03/05/2019	
30-120 0.3			
120-400 0.5			
400-1000 0.8			
1000-2000 1.2			
2000-4000 2			
TITLE: ROTARY JOINT TYPE SAIDI-BCI STRAND GUIDE UNIT		ARTICLE NO: G-50422-0000	
SCALE: 1:1		PAGE: OF:	DRAWING NO: F50422
www.johnson-fluiten.com		REV: 2A	

2	10/05/2019	ADDED DIAMETER 38 ON POS. 05 - ADDED TOLLERANCE ø8 ON DIAMETER 58 AND MASS AGGIUNTO DIAMETRO 38 POS. 05 - AGGIUNTA TOLLERANZA ø8 SU DIAMETRO 58 E AGGIUNTA MASSA	Buonofiglio	L.M.
1	07/05/2019	MODIFIED AS PER CUSTOMER REQUEST - DELETED POSITION 17-24-41 AND MODIFIED WHERE INDICATED MODIFICATO COME DA COMMENTI CLIENTE - ELIMINATE POSIZIONI 17-24-41 E MODIFICATO DOVE INDICATO	Buonofiglio	L.M.
INDICE MODIFICHE	DATA	DESCRIZIONE	DISEGNATO	APPROVATO