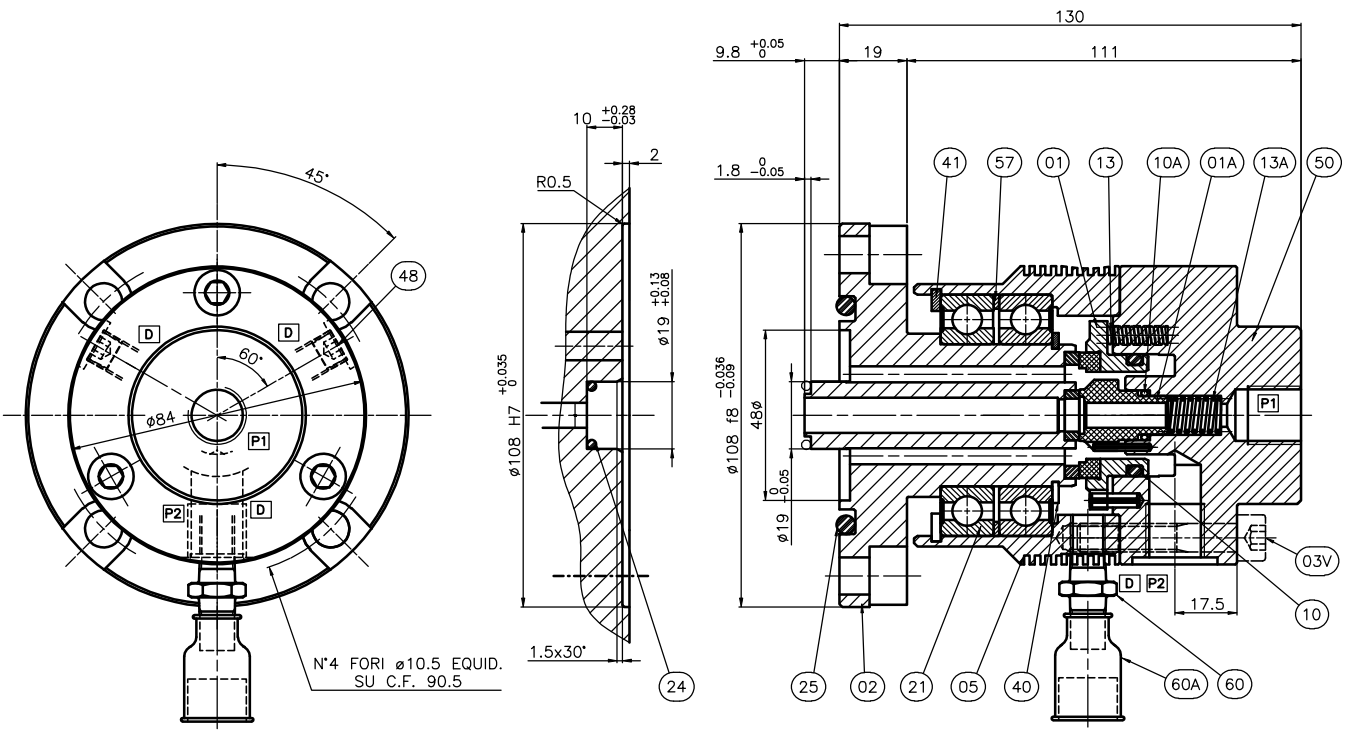


CONNECTIONS		OPERATING CONDITIONS	
P1	G 3/8" ISO 228/1	MAX. SPEED	1500 rpm
P2	G 3/8" ISO 228/1	MEDIA	AIR**/HYDRAULIC OIL
D	3 x G 3/8" ISO 228/1	MAX. PRESSURE	10**bar/70bar
		MAX. TEMPERATURE	90 °C



N°4 FORI ø10.5 EQUID. SU C.F. 90.5

60A	CONNESSIONE CONNECTION	1	V103012002F	DA COMMERCIO COMMERCIAL ITEM
60	NIPPLO NIPPLE	1	V103008035F	DA COMMERCIO COMMERCIAL ITEM
57	DISTANZIALE SPACER	1	F5007/04Q	AISI 304
50	TESTA HEAD	1	F5809/02C5	ALUMINUM
48	TAPPO PLUG	2	V100061035F	DA COMMERCIO COMMERCIAL ITEM
41	ANELLO ELASTICO RETAINING RING	1	V100021118F5	SPRING STEEL
40	ANELLO ELASTICO RETAINING RING	1	V100020090F5	SPRING STEEL
25	GUARNIZIONE O RING	1	6666572V	FLUROELASTOMER
24	GUARNIZIONE O RING	1	6666434V	FLUROELASTOMER
21	CUSCINETTO BEARING	2	V200AA040E000	COMMERCIAL
13A	MOLLA SPRING	1	F4797/05E	AISI 316
13	MOLLA SPRING	4	66552E	AISI 316
10A	GUARNIZIONE O RING	1	6666410V3	FLUROELASTOMER
10	GUARNIZIONE O RING	1	6666484V3	FLUROELASTOMER
05	CORPO BODY	1	F5007/03C5	ALUMINUM
03V	VITE SCREW	3	V100001213F	8.8
02	ROTORE ROTOR	1	F5809/03QK2	AISI304+TUNGSTEN CARB.
01A	ANELLO STAZIONARIO STATIONARY RING	1	F4797/01Z31	GRAPHITE
01	ANELLO STAZIONARIO STATIONARY RING	1	F5007/06EZ1	AISI 316+GRAPHITE
POS.	DESCRIZIONE	Q.TA'	CLASSIFICA	MATERIALI
POS.	DESCRIPTION	Q.TY	PART No	MATERIALS

© 2008 PROPERTY OF JOHNSON-FLUITEN SA THE DRAWING AND ITS INFORMATION ARE CONFIDENTIAL AND MUST BE RETURNED IF REQUESTED BY JOHNSON-FLUITEN SA.

Permissible deviations on untoleranced machining dimensions as below	PATTERN NO:	REFERENCE DRAWING:	TREATMENT:
ISO 2768-m	ANGULAR TOLERANCE:	REQUEST NO: #42008-3	MATERIAL:
Tolerance	± 0°30'	LOCATION: 24.3	N. AMERICA EUROPE ASIA S. AMERICA
mm ± mm	DEBURR:		
Up to 6 0.1			
6-30 0.2	DRAWN BY: L.Z.	PROJECTION:	TITLE: ROTARY JOINT TYPE G/5809
30-120 0.3	CHECKED BY: L.M.		
120-400 0.5	DATE: 21.10.08		
400-1000 0.8			
1000-2000 1.2	JOHNSON-FLUITEN		ARTICLE NO: G/5809/0001
2000-4000 2	www.johnson-fluiten.com		SCALE: 1:1 PAGE: OF: DRAWING NO: F5809 REV: