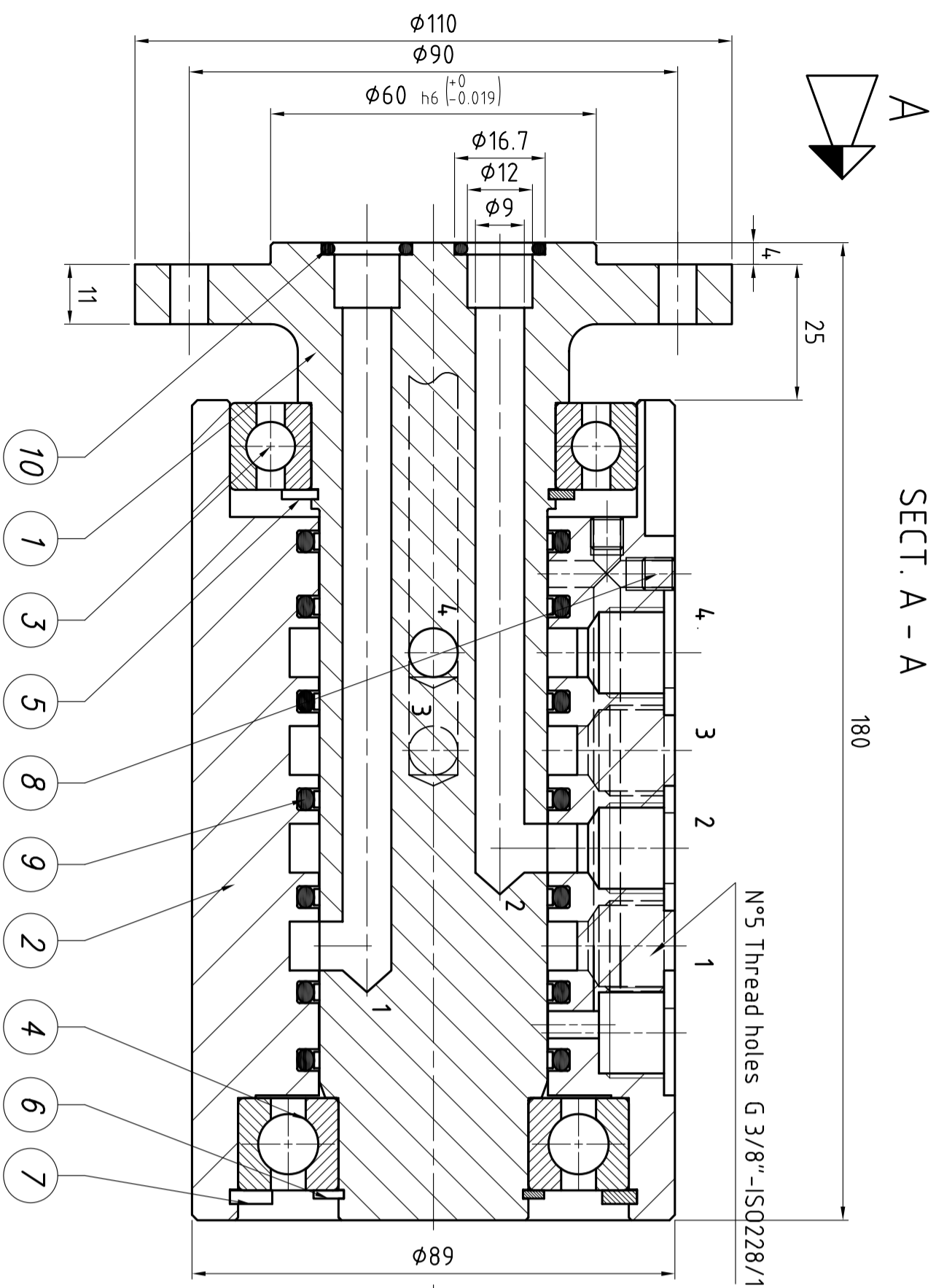
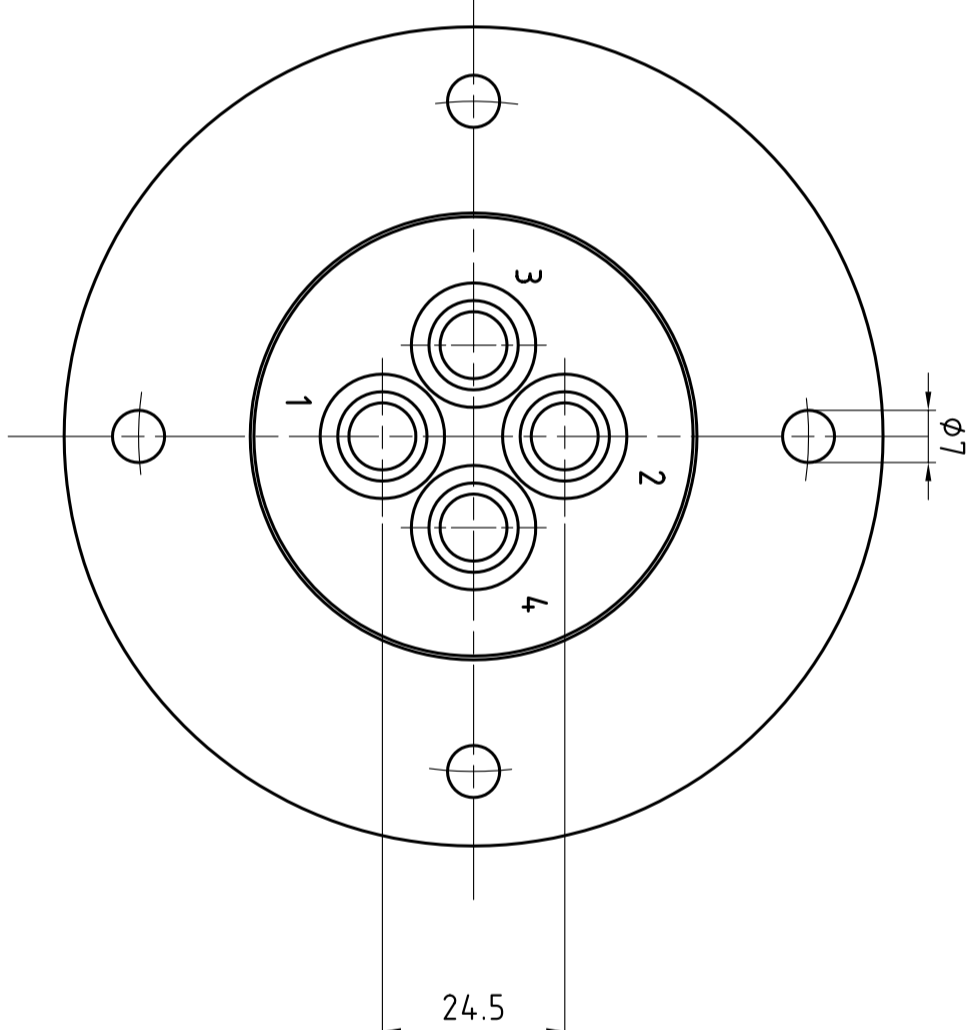


SECT. A - A

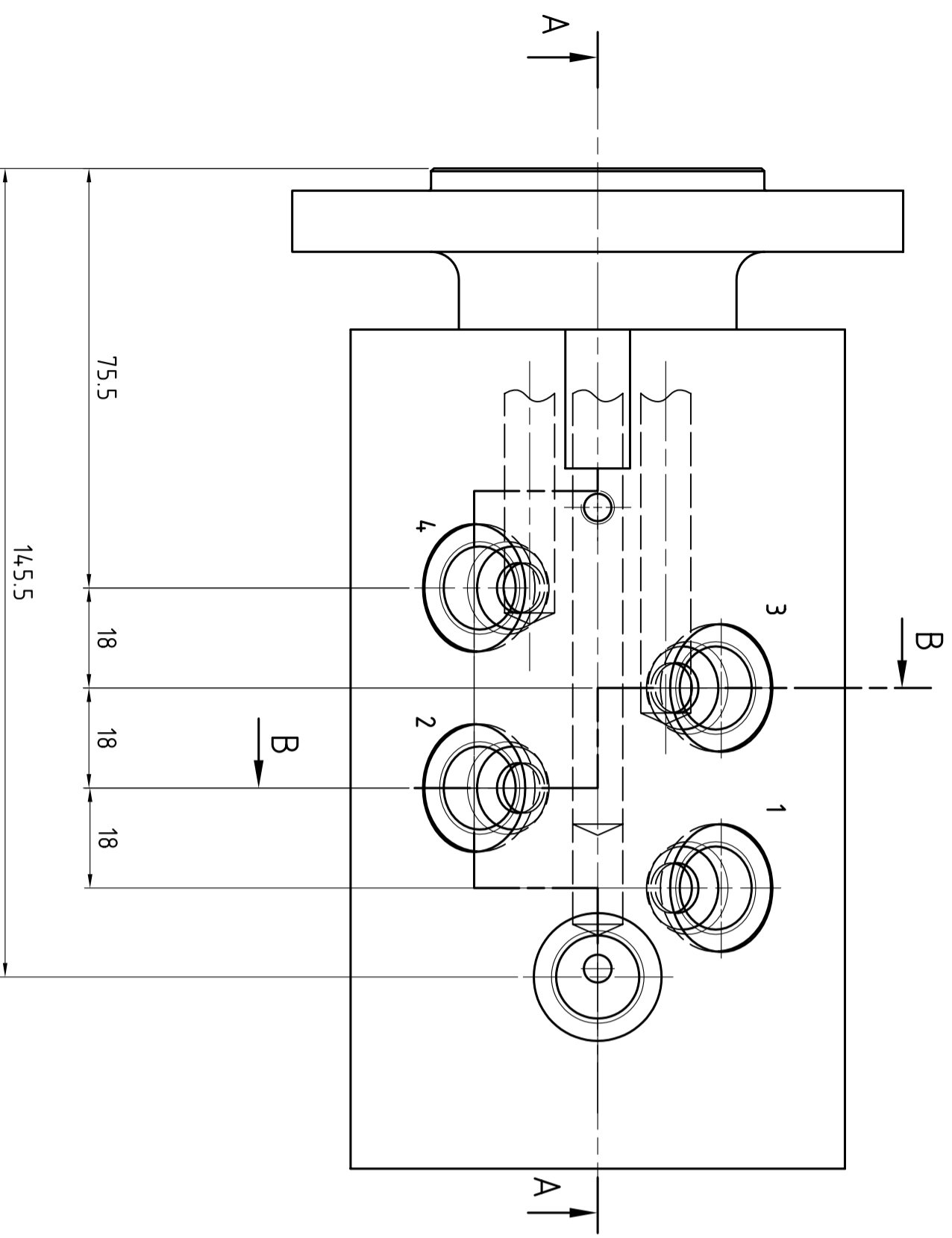
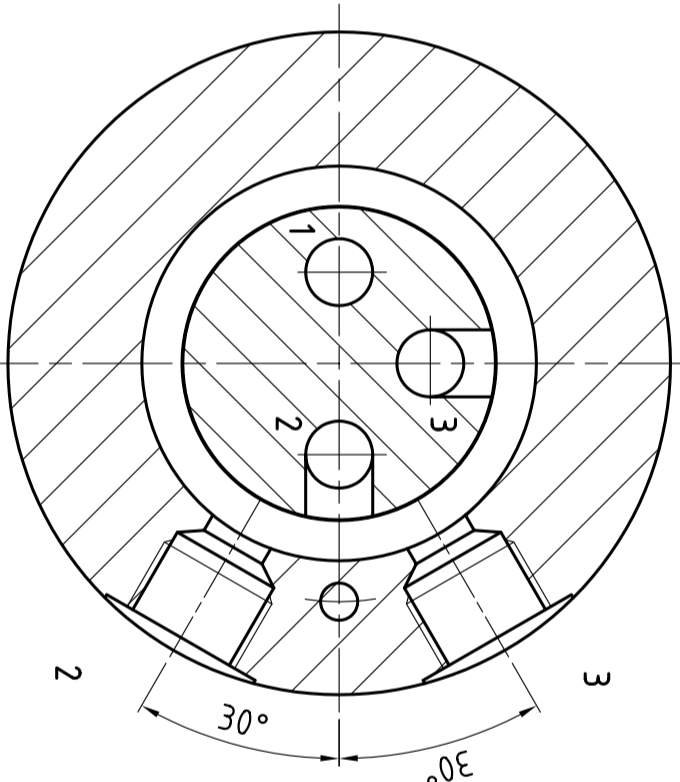
180



VIEW FROM A



SECT. B - B



POS.	DESCRIPTION	Q.TY	PART No	MATERIALS
10	O RING	4	6666431G	N.B.R.
9	ROTARY SEAL	5	845904211G	P.T.F.E. + N.B.R.
8	PLUG	2	V100061056F	STEEL
7	RETAINING RING	1	V100021122F	STEEL
6	SEEBER	1	V100020085F	STEEL
5	RETAINING RING	1	V100020095F	STEEL
4	BALL BEARING	1	V200AB035E000	STEEL
3	BALL BEARING	1	V200AA045E000	STEEL
2	BODY	1	F 7810/01/02B5	BRASS
1	ROTOR	1	F 7810/01/01Y5	ANSI 420

© 2004 PROPERTY OF JOHNSON-FLUITEN SA THE DRAWING AND ITS INFORMATION ARE CONFIDENTIAL AND MUST BE RETURNED IF REQUESTED BY JOHNSON-FLUITEN SA. Permissible deviations on untoleranced machining dimensions as below ISO 2768-m Tolerance mm ± mm Up to 6 0.1 6-30 0.2 30-120 0.3 120-400 0.5 400-1000 0.8 1000-2000 1.2 2000-4000 2		PATTERN NO: REFERENCE DRAWING: TREATMENT: MATERIAL: N. AMERICA EUROPE ASIA S. AMERICA
ANGULAR TOLERANCE: ± 0°30' DEBURR: REQUEST NO.: LOCATION: 243	TITLE: ROTARY JOINT TYPE G4M009	

DRAWN BY: Turnu CHECKED BY: LM DATE: 19/09/03	ARTICLE NO: G4M00901454 SCALE: 1:1 PAGE: 1 OF: 1	PROJECTION: TITLE: ROTARY JOINT TYPE G4M009	DRAWING NO: F7810/01
--------------------------------------------------------------------------	---------------------------------------------------------------------------------------	------------------------------------------------------	-----------------------------