

Maintenance Instructions

For Rotary Union Type SAIDI-BCI G/50422

SAFETY INSTRUCTIONS

Please follow your company's safety procedures whenever working on Johnson-Fluiten rotary unions and read all instructions completely before proceeding. Please refer to the engineer drawings of your Johnson-Fluiten rotary union for part identification. If you have any question, please contact your sales representative or Johnson-Fluiten directly.

NOTICE

REPLACEMENT KIT COMPOSED OF:

- Seal ring item #1
- Seal ring gasket item #10
- Stationary part gaskets items #24-25-26
- Springs item #13
- Nipple gaskets item #9 (2 pieces)
- Rotary part gasket item #27

1. SEAL RING, GASKETS AND RETAINING RING REPLACEMENT

1.1 DISASSEMBLY

- Pull out rotary part 5
- Remove set screw 12 inside body 50
- Remove siphon 19
- Remove retaining ring 42
- Pull out nipple 2
- Pull out stationary seal 1
- Remove springs 13
- Remove retaining ring 21 from nipple 2

WARNING

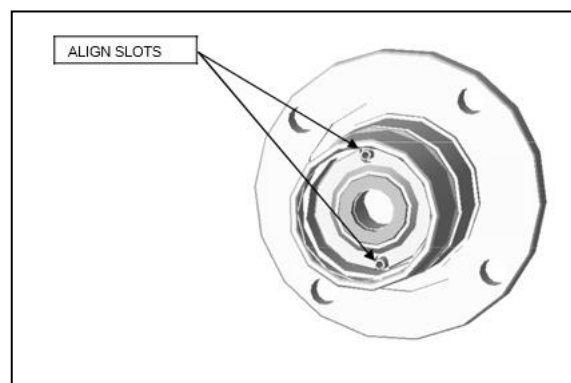
If cleaning of stationary part is required , please make reference to chapter 3

1.2 REPLACEMENT and REASSEMBLY

- Fit in place new retaining ring 21 on nipple 2
- Fit in place springs 13
- Fit in place gasket 10 on seal ring 1
- Lubricate gasket– See table 3 from installation instructions*
- Fit in place gaskets 25-26 on stationary part 50
- Lubricate gasket– See table 3 from installation instruction*
- Fit in place seal ring 1 in stationary part 1, taking care to align seal rings slots with drive pins
- Lubricate gasket– See table 3 from installation instructions*



- Fit in place nipple 2 in stationary part 1
- Apply retaining ring 42
- Fit in place siphon 19 taking care to align the siphon hole with the hole in stationary part 1
- apply Loctite 270 on set screw 12 and lock the siphon
- Fit in place new gaskets 9 on nipple 2
- Lubricate gasket– See table 3 from installation instructions*
- Fit in place new gasket 27 on rotary part 5
- Lubricate gasket– See table 3 from installation instructions*



2. CLEANING OF STATIONARY PART

2.1 DISASSEMBLY

- Remove retaining ring 41
- Remove closure disc 17
- Remove gasket 24

Johnson-Fluiten Warranty

Johnson-Fluiten products are built to a high standard of quality. Performance is what you desire: that is what we provide. Johnson-Fluiten products are warranted against defects in materials and workmanship for a period of one year after date of shipment. It is expressly understood and agreed that the limit of Johnson-Fluiten's liability shall, at Johnson-Fluiten's sole option, be the repair or resupply of a like quantity of non-defective product.

2.2 CLEANING

Immerse the stationary part in a suitable solution of descaler product until the encrustation is softened enough to be scratched away.

! WARNING Do not scratch inside seal ring housing to avoid damage of the surface and eventual leakage in operation.

Use sandpaper grade 500 or higher.

2.3 REPLACEMENT AND REASSEMBLY

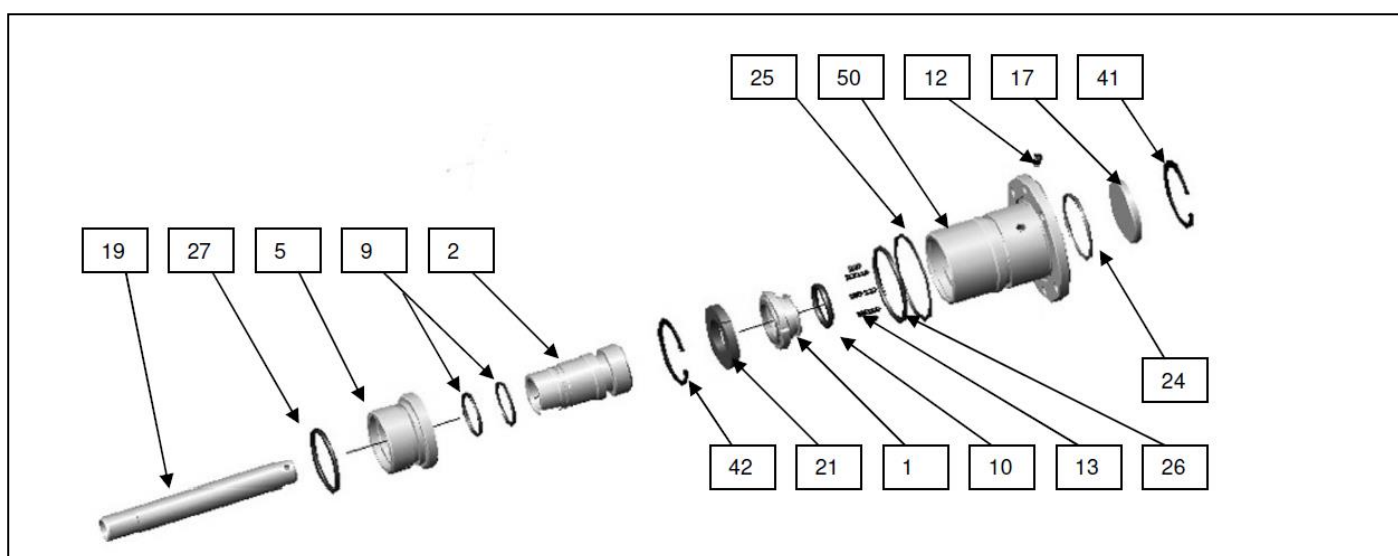
Replace gasket 24

Fit in place closure disc 17

Fit in place retaining ring 41

The Johnson-Fluiten union is now ready to be placed back in service!

! WARNING Before proceeding with rotary joint installation, please carefully read all contents of installation instructions with annexed tables.



Johnson-Fluiten Warranty

Johnson-Fluiten products are built to a high standard of quality. Performance is what you desire: that is what we provide. Johnson-Fluiten products are warranted against defects in materials and workmanship for a period of one year after date of shipment. It is expressly understood and agreed that the limit of Johnson-Fluiten's liability shall, at Johnson-Fluiten's sole option, be the repair or resupply of a like quantity of non-defective product.